

FEATURES

- designed to accommodate CDM Jevons connector p/n S068CMI and the following Tyco and equivalent SCSI 68 pin connectors: 5749109-4, 5749109-5, 5749111-6, 5749210-7, 5749621-7, 5750913-7
- easy to assemble, tapped, zinc die cast tub and cover design optimizes shielding effectiveness
- unique cable braid captivation improves shield termination and enhances EMI/RFI attenuation
- 8 cable exits each with 0.211"/5.36mm ID. Custom cable exits are available, please consult factory
- custom logo option available
- supplied with 4-40 jackscrews, 2-56 available on request



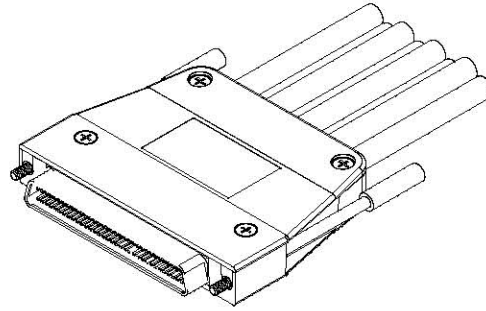
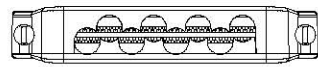
Connector p/n S068CMI sold separately (drawing attached for reference)

JDCS	XX	-	X	X	X			
	68	68 PIN SCSI	8	8 EXITS (0.211/5.36mm ID)	3	Ni. PLATING	1	4-40 JACKSCREWS
							3	2-56 JACKSCREWS

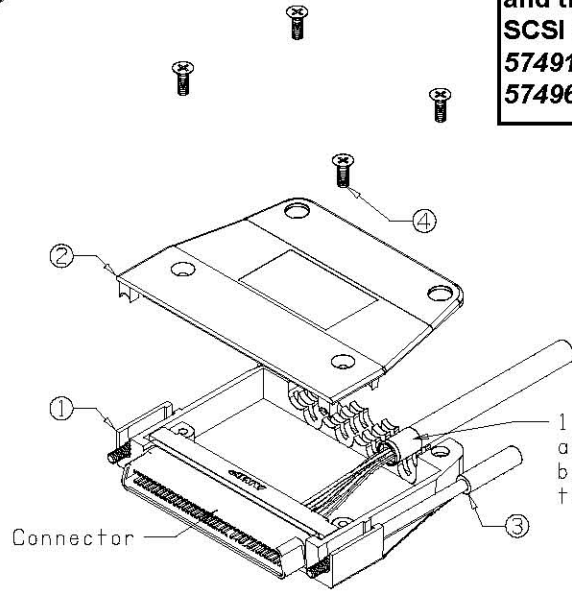
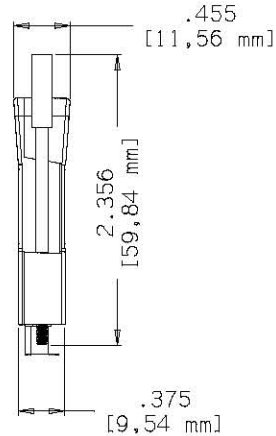
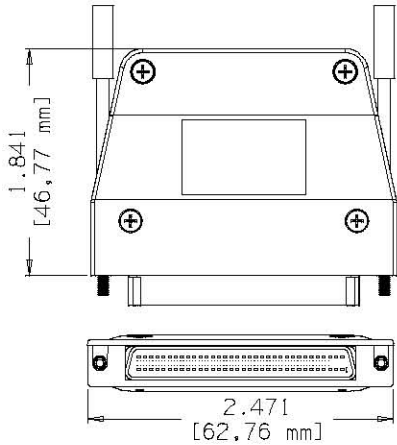
2

1

REVISIONS				
ZONE	REV	DESCRIPTION	DATE	APPROVED



Designed to accommodate CDM Jevons connector p/n S068CMI and the following Tyco and equivalent SCSI 68 pin connectors: 5749109-4, 5749109-5, 5749111-6, 5749210-7, 5749621-7, 5750913-7



1 of 8 cables positioned in an exit, with braid reversed back over jacket 1/4" in the exit

Installation

Note:
 1. Nominal Cable OD .225"
 2. Nominal Braid .0075" thk

B

B

A

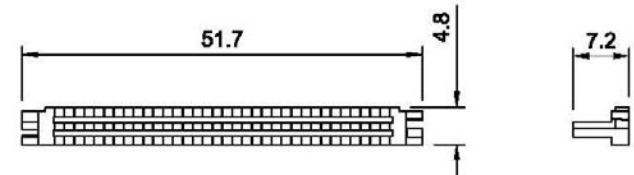
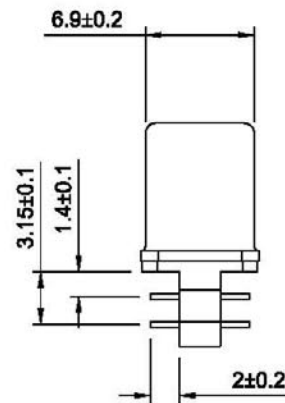
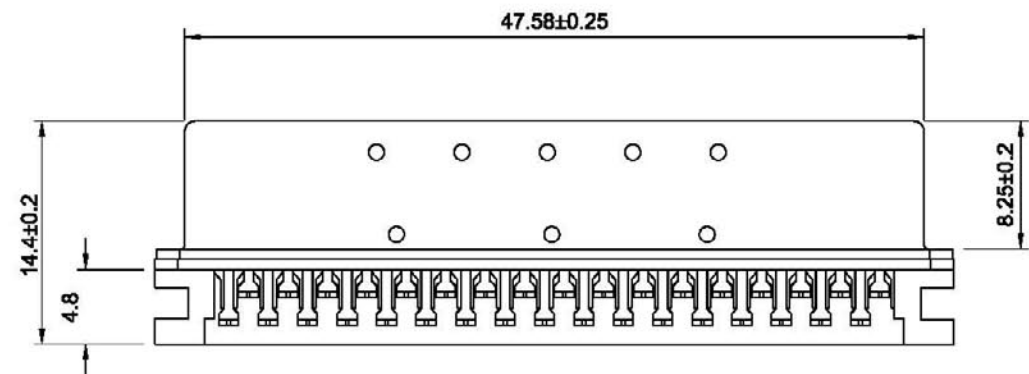
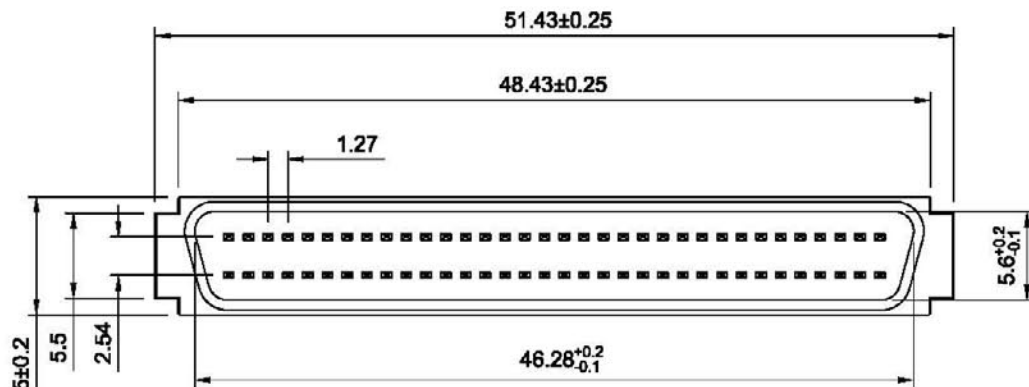
A

Description	Qty		Component Number
	JDCS68-831	JDCS68-833	
Backshell Base	1	1	P/N SE300910-1
Backshell Cover	1	1	P/N SE300910-2
Jack Screws	0	2	P/N SE300910-3A (2-56 thread)
	2	0	P/N SE300910-3B (4-40 thread)
Assembly Screws	4	4	P/N SE060111-1

UNLESS OTHERWISE SPECIFIED DIMENSIONS ARE IN INCHES. TOLERANCES ARE: FRACTIONS: DECIMALS: ± 1/32 .0005 ± 1/64 .0010 ± 1/16 .0015			www.jevons.on.ca		905 939-8001	
MATERIAL: Back Shell - Die Cast Jack screws - CRS Hardware - CRS			DESCRIPTION: SCSI 68 Position Back Shell			
FINISH: Back Shell - Nickel Jack screws - Nickel, molded head Hardware - Nickel		APPROVAL: WS	DATE: 6 Feb 11	SIZE: B	CDR CODE: 087MB	DWG NO: JDCS68-83X
SCALE: NTS		RELEASE DATE: na	WEIGHT: NA	SHEET: 1 of 1		REV: 0

2

1



P/N:R-SR-013068-03

SCALE: 1:1

ELECTRICAL CHARACTERISTICS

CONTACT CURRENT RATING: 1 AMPERE
 DIELECTRIC WITHSTANDING VOLTAGE: 500 VAC
 INSULATION RESISTANCE: 1000 MEGOHMS MIN.
 CONTACT RESISTANCE: 25 MILLIOHMS MAX.

MATERIALS

CONTACTS: COPPER ALLOY
 INSULATOR: THERMOPLASTIC 94V-0
 SHELL: COLD ROLLER STEEL

FINISHES

CONTACT: 5 μm MIN. GOLD ON MATING END;
 ALL UNDERPLATED NICKEL
 SHELL: NICKEL OVER COPPER

ENVIRONMENT

OPERATION TEMPERATURE: -55°C TO + 85°C
 COMPATIBLE CABLE: AWG #28

NOTES

1. MATERIAL: THERMOPLASTIC
2. THE STRAIN RELIEF WILL NOT SOLD SEPARATELY
3. SHIP WITH TWO R-SR-013068-03

CDM Jevons Inc.
 72 Proctor Road
 Schomberg, ON
 L0G1T0
 CANADA
 Ph: +905-939-8001
 Fax: +905-939-8002

TITLE: 1.27mm Cable Plug			
DWG#: S068CMI		SHEET: 1 / 1	REV. B
UNIT: mm	FINISH:		
SCALE: 2:1	MATERIAL: RoHS Compliant		
TOLERANCE: X±0.25 .X±0.2 .XX±0.15	DATE: 04/08/2008		