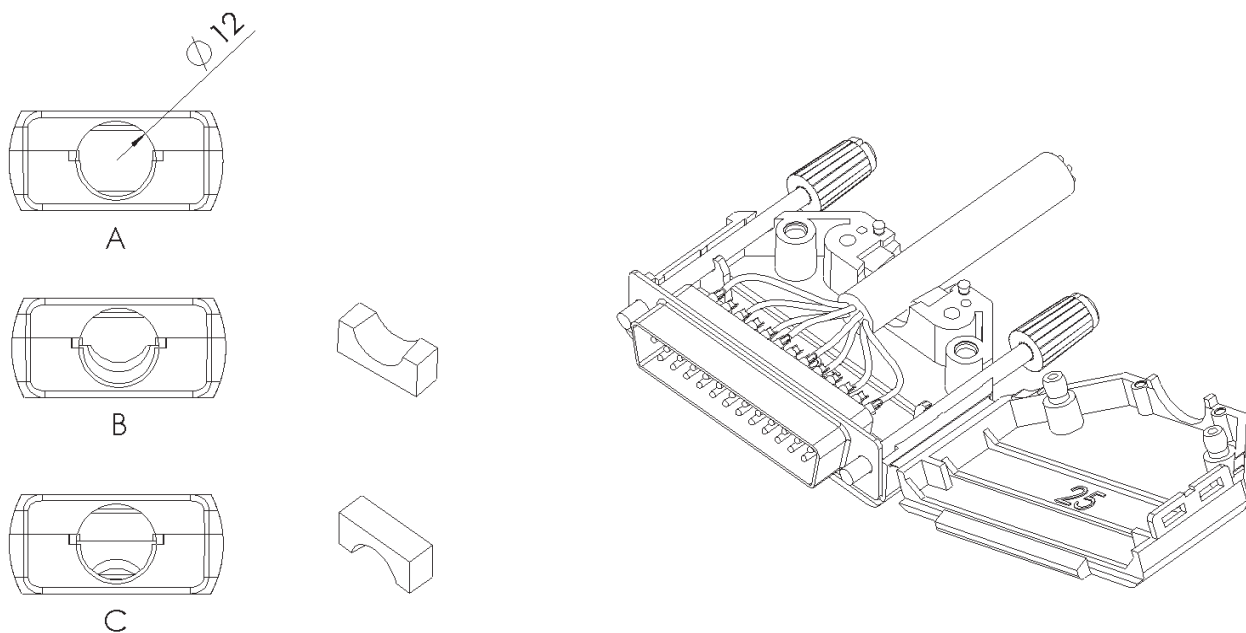
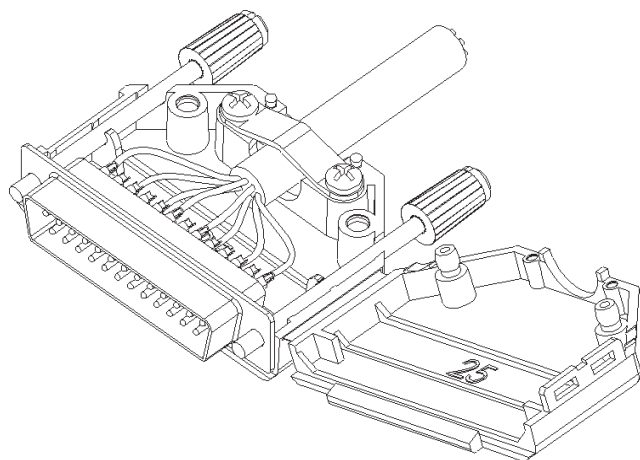


# Assembly instruction DPPK Series

Decide if cable grommet suits the assembly facing upwards or downwards depending on the outer diameter of the cable. The cable grommet can be left out if the cable outer diameter is large enough. The maximum cable diameter is 12 mm.



Place the mounted cable and connector inside the back shell. Mount the cable clamp and assembly screws. Maximum mounting torque is 100 Ncm.



Close the hinged back shell and assembly is completed.

