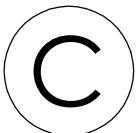


ITEM NO.	QTY.	PART NO.	DESCRIPTION
1	1	DPPK9-D1	Cover
2	2	D-JS	Jackscrew
3	1	DPPK9-D2	Relief
4	1	DPPK9-D5	Cable clamp
5	2	PT 3x8	Screw



THIS DRAWING MUST NOT BE COPIED WITHOUT OUR PERMISSION, IMPARTED TO A THIRD PART OR OTHERWISE USED WITHOUT AUTHORISATION. CONTRAVENTION WILL BE PROSECUTED

OSSI
CONNECTORS

Postbox 125
DK-4930 Maribo
Denmark
Tlf: 54782888 / Fax: 54783340

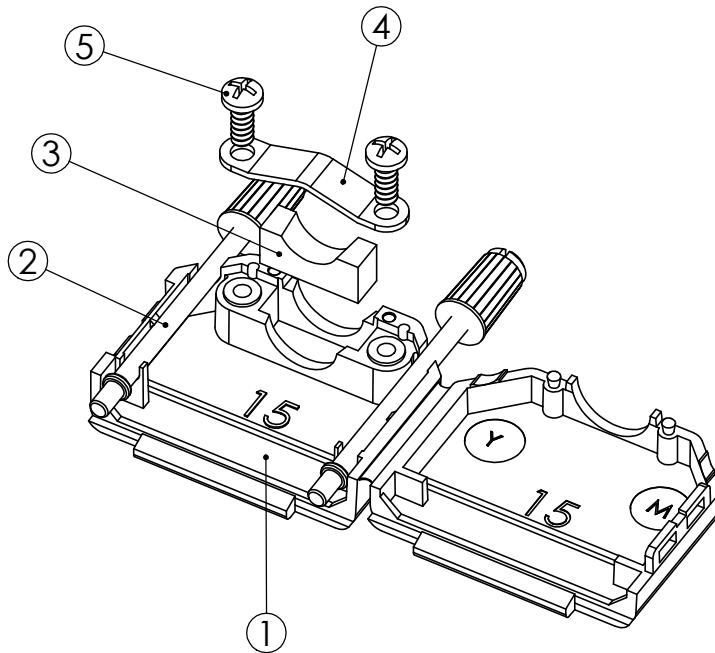
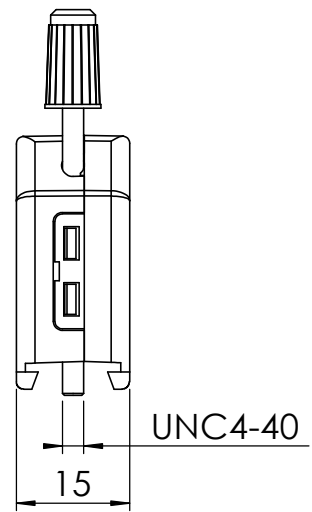
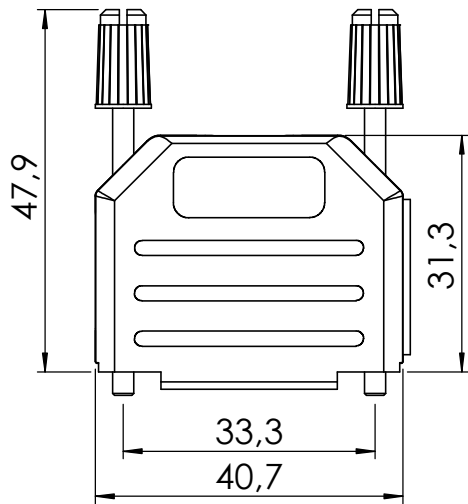
DPPK9

Draw.nr: 41343-1

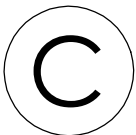
Date: 23.11.10

Rev.: A

Sign.: RK



ITEM NO.	QTY.	PART NO.	DESCRIPTION
1	1	DPPK15-D1	Cover
2	2	D-JS	Jackscrew
3	1	DPPK15-D2	Relief
4	1	DPPK15-D5-B	Cable clamp
5	2	PT 3x8	Screw



THIS DRAWING MUST NOT BE COPIED WITHOUT OUR PERMISSION, IMPARTED TO A THIRD PART OR OTHERWISE USED WITHOUT AUTHORISATION. CONTRAVENTION WILL BE PROSECUTED

OSSI
CONNECTORS

Postbox 125
DK-4930 Maribo
Denmark
Tlf: 54782888 / Fax: 54783340

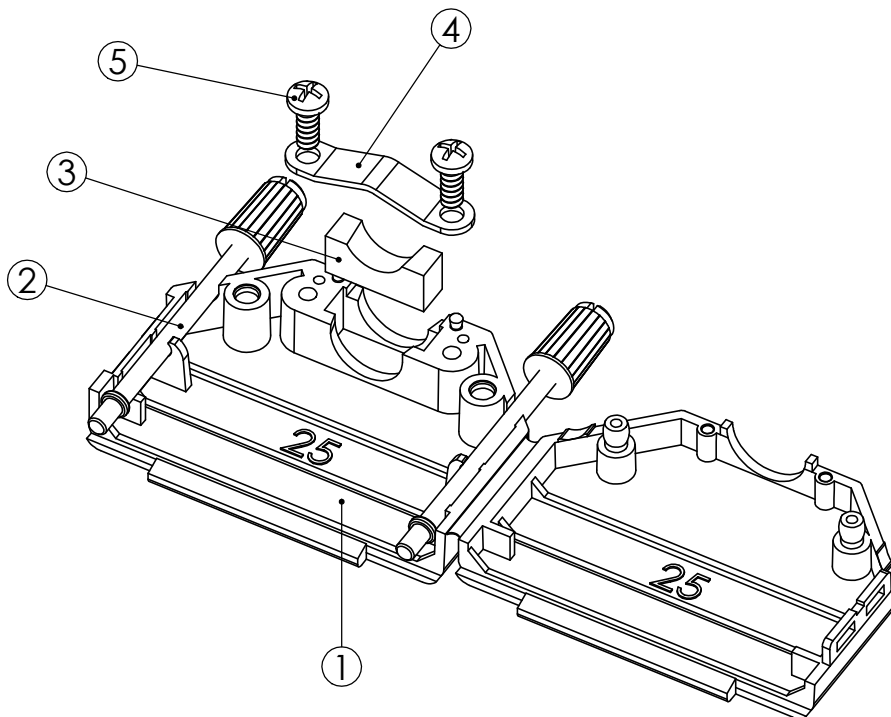
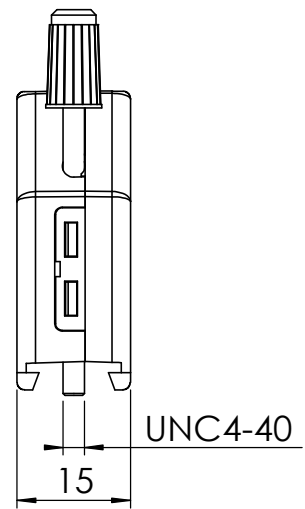
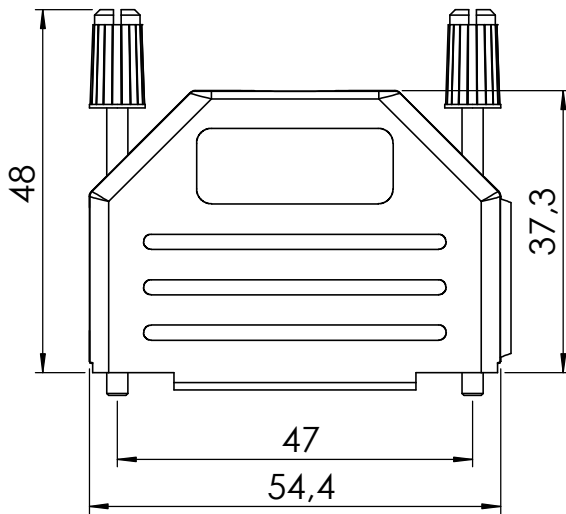
DPPK15

Draw.nr: 41343-2

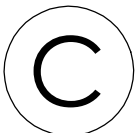
Date: 23.11.10

Rev.: A

Sign.: RK



ITEM NO.	QTY.	PART NO.	DESCRIPTION
1	1	DPPK25-D1	Cover
2	2	D-JS	Jackscrew
3	1	DPPK15-D2	Relief
4	1	DPPK15-D5-B	Cable clamp
5	2	PT 3x8	Screw



THIS DRAWING MUST NOT BE COPIED WITHOUT OUR PERMISSION, IMPARTED TO A THIRD PART OR OTHERWISE USED WITHOUT AUTHORISATION. CONTRAVENTION WILL BE PROSECUTED

OSSI
CONNECTORS

Postbox 125
DK-4930 Maribo
Denmark
Tlf: 54782888 / Fax: 54783340

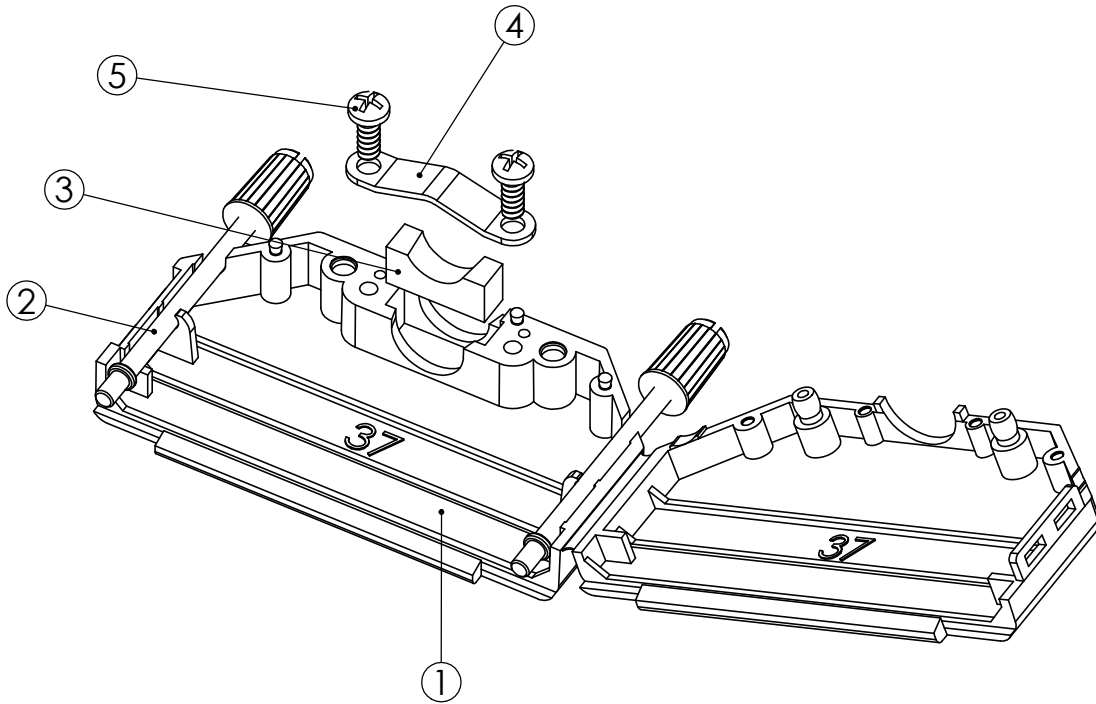
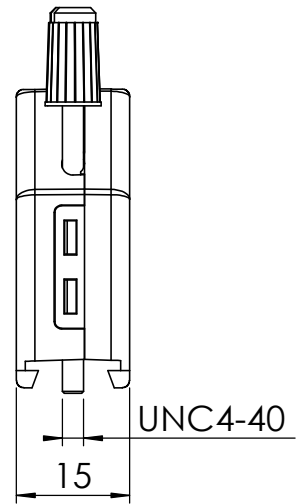
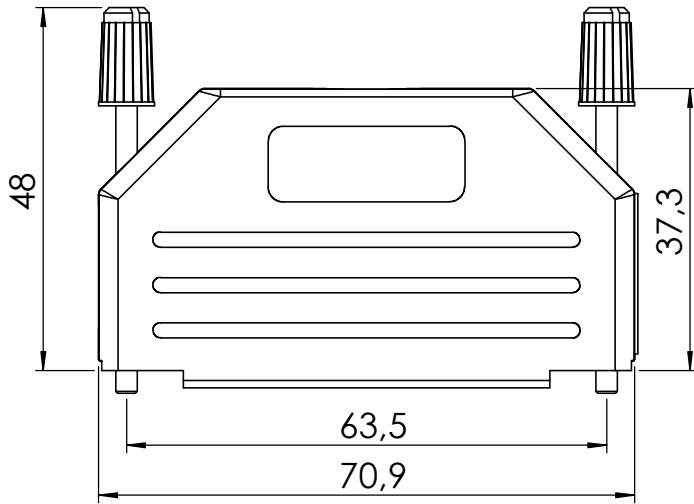
DPPK25

Draw.nr: 41343-3

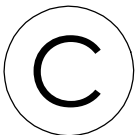
Date: 23.11.10

Rev.: A

Sign.: RK



ITEM NO.	QTY.	PART NO.	DESCRIPTION
1	1	DPPK37-D1	Cover
2	2	D-JS	Jackscrew
3	1	DPPK15-D2	Relief
4	1	DPPK15-D5-B	Cable clamp
5	2	PT 3x8	Screw



THIS DRAWING MUST NOT BE COPIED WITHOUT OUR PERMISSION, IMPARTED TO A THIRD PART OR OTHERWISE USED WITHOUT AUTHORISATION. CONTRAVENTION WILL BE PROSECUTED

OSSI
CONNECTORS

Postbox 125
DK-4930 Maribo
Denmark
Tlf: 54782888 / Fax: 54783340

DPPK37

Draw.nr: 41343-4

Date: 23.11.10

Rev.: A

Sign.: RK