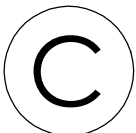


ITEM NO.	QTY.	PART NO.	DESCRIPTION
1	2	DTZK9-D5	Cover half
2	2	D-JS	Jack screw
3	2	MFX-GF-M3x10	Screw
4	1	DVZK-D1	Strain relief



THIS DRAWING MUST NOT BE COPIED WITHOUT OUR PERMISSION, IMPARTED TO A THIRD PARTY OR OTHERWISE USED WITHOUT AUTHORISATION. CONTRAVENTION WILL BE PROSECUTED

OSSI
CONNECTORS

Postbox 125
DK-4930 Maribo
Denmark
Tlf: 54782888 / Fax: 54783340

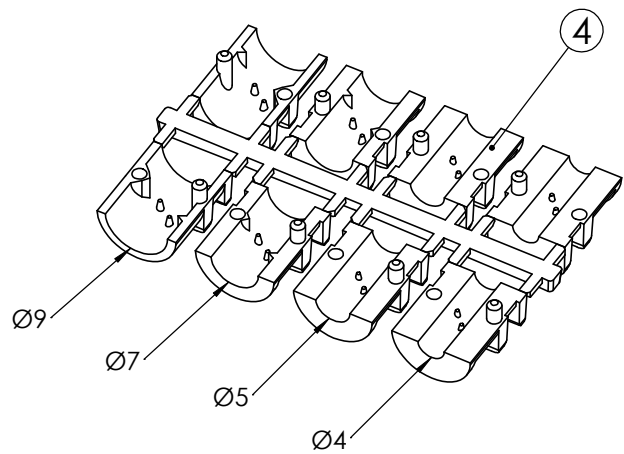
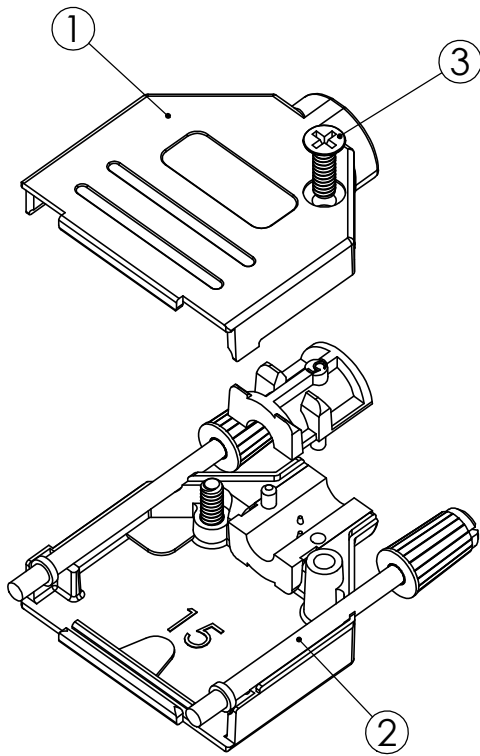
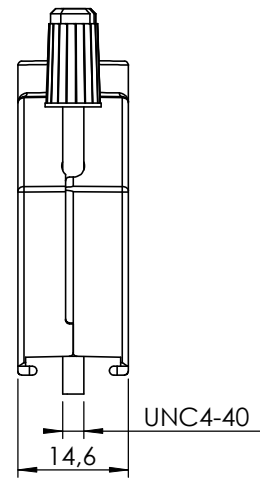
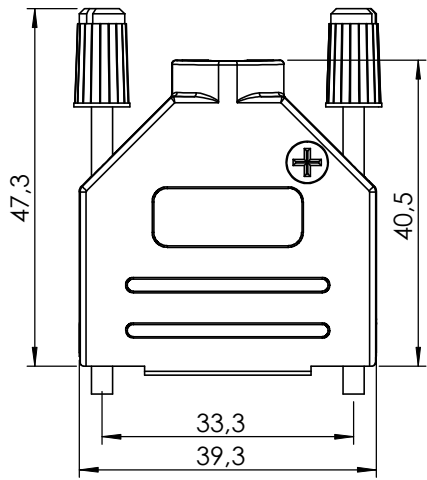
DTZK9

Draw.nr: 41325-1

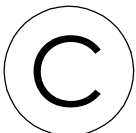
Date: 27.08.10

Rev.: B

Sign.: RK



ITEM NO.	QTY.	PART NO.	DESCRIPTION
1	2	DTZK15-D5	Cover half
2	2	D-JS	Jack screw
3	2	MFX-GF-M3x10	Screw
4	1	DVZK-D1	Strain relief



THIS DRAWING MUST NOT BE COPIED WITHOUT OUR PERMISSION, IMPARTED TO A THIRD PARTY OR OTHERWISE USED WITHOUT AUTHORISATION. CONTRAVENTION WILL BE PROSECUTED

OSSI
CONNECTORS

Postbox 125
DK-4930 Maribo
Denmark
Tlf: 54782888 / Fax: 54783340

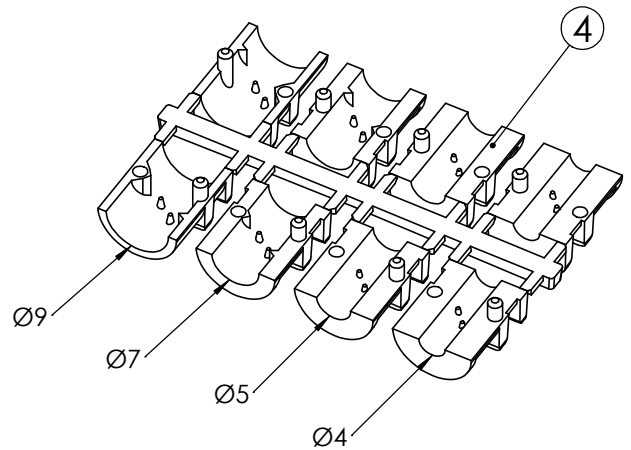
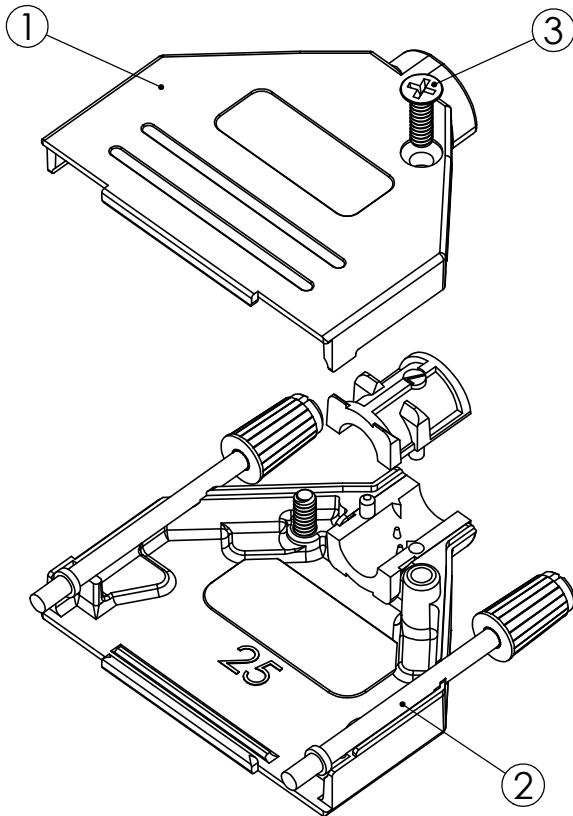
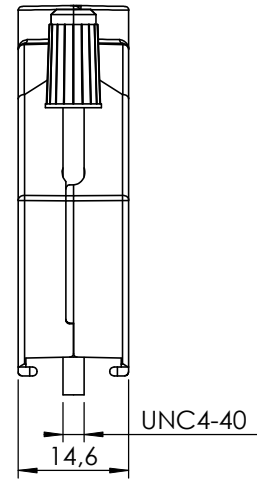
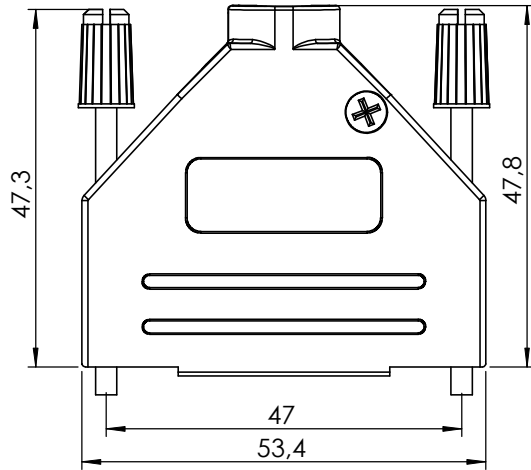
DTZK15

Draw.nr: 41325-2

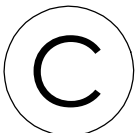
Date: 27.08.10

Rev.: A

Sign.: RK



ITEM NO.	QTY.	PART NO.	DESCRIPTION
1	2	DTZK25-D5	Cover half
2	2	D-JS	Jack screw
3	2	MFX-GF-M3x10	Screw
4	1	DVZK-D1	Strain relief



THIS DRAWING MUST NOT BE COPIED WITHOUT OUR PERMISSION, IMPARTED TO A THIRD PARTY OR OTHERWISE USED WITHOUT AUTHORISATION. CONTRAVENTION WILL BE PROSECUTED

OSSI
CONNECTORS

Postbox 125
DK-4930 Maribo
Denmark
Tlf: 54782888 / Fax: 54783340

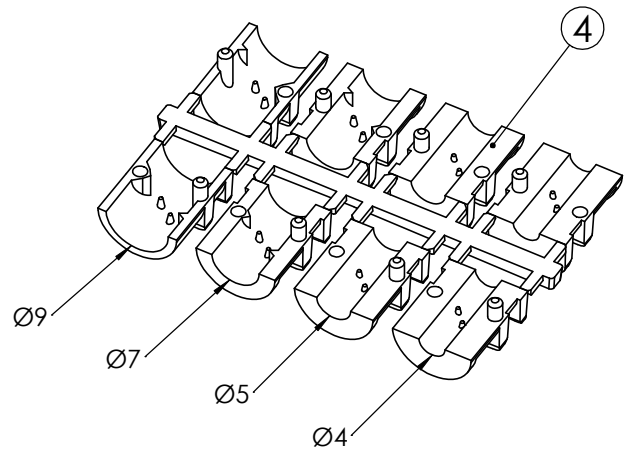
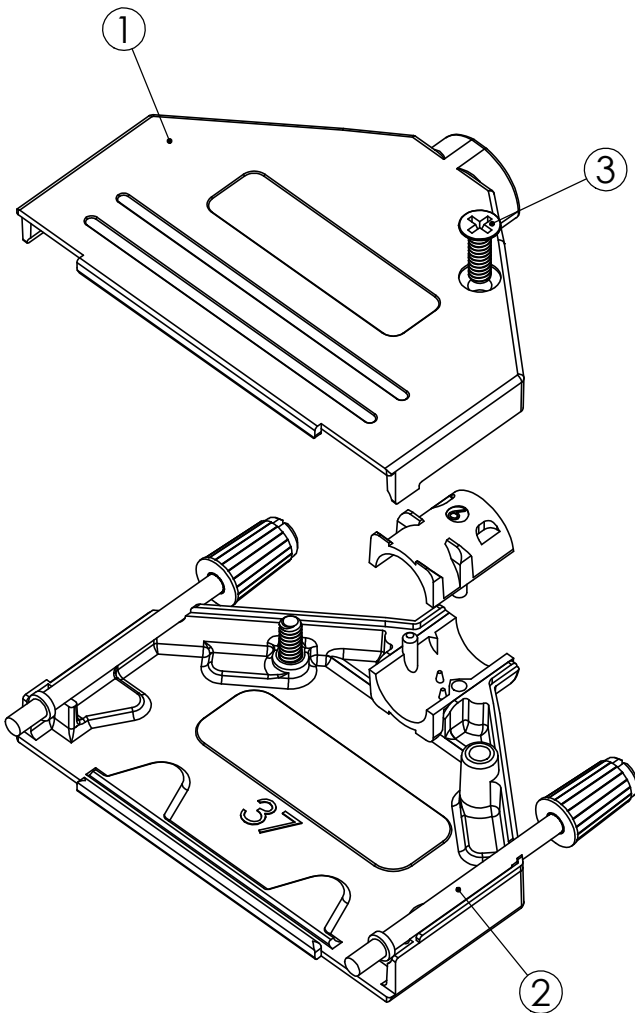
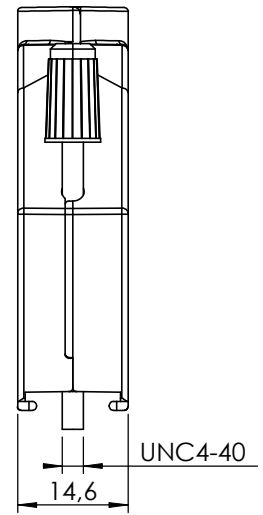
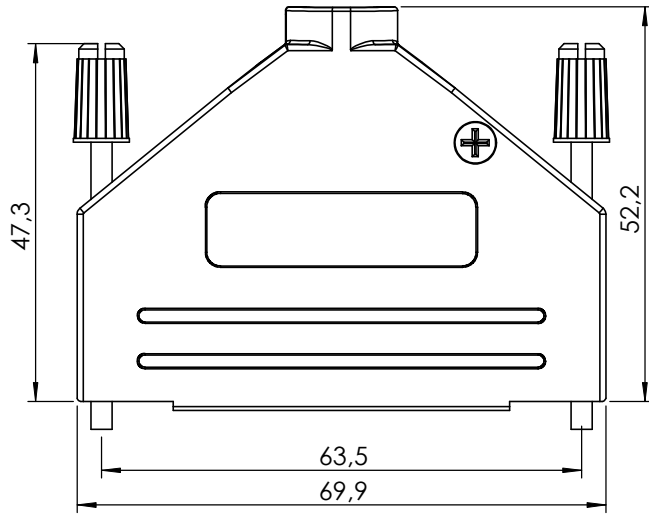
DTZK25

Draw.nr: 41325-3

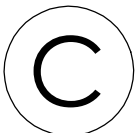
Date: 27.08.10

Rev.: B

Sign.: RK



ITEM NO.	QTY.	PART NO.	DESCRIPTION
1	2	DTZK37-D5	Cover half
2	2	D-JS	Jack screw
3	2	MFX-GF-M3x10	Screw
4	1	DVZK-D1	Strain relief



THIS DRAWING MUST NOT BE COPIED WITHOUT OUR PERMISSION, IMPARTED TO A THIRD PART OR OTHERWISE USED WITHOUT AUTHORISATION. CONTRAVENTION WILL BE PROSECUTED

OSSI
CONNECTORS

Postbox 125
DK-4930 Maribo
Denmark
Tlf: 54782888 / Fax: 54783340

DTZK37

Draw.nr: 41325-4

Date: 27.08.10

Rev.: A

Sign.: RK