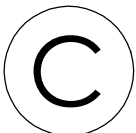


ITEM NO.	QTY.	PART NO.	DESCRIPTION
1	1	DVPK09-D1	Cover bottom
2	1	DVPK09-D2	Cover top
3	1	D-JS-34	Jack screws
4	2	UHPX-3x13	Screws
5	1	DVZK-D1	Strain relief



THIS DRAWING MUST NOT BE COPIED WITHOUT OUR PERMISSION, IMPARTED TO A THIRD PART OR OTHERWISE USED WITHOUT AUTHORISATION. CONTRAVENTION WILL BE PROSECUTED

OSSI
CONNECTORS

Postbox 125
DK-4930 Maribo
Denmark
Tlf: 54782888 / Fax: 54783340

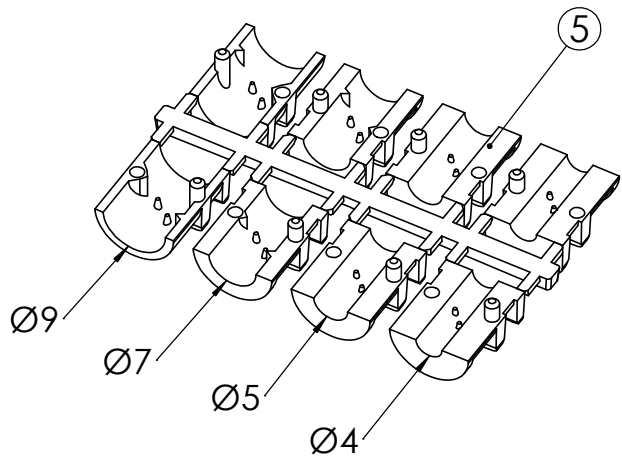
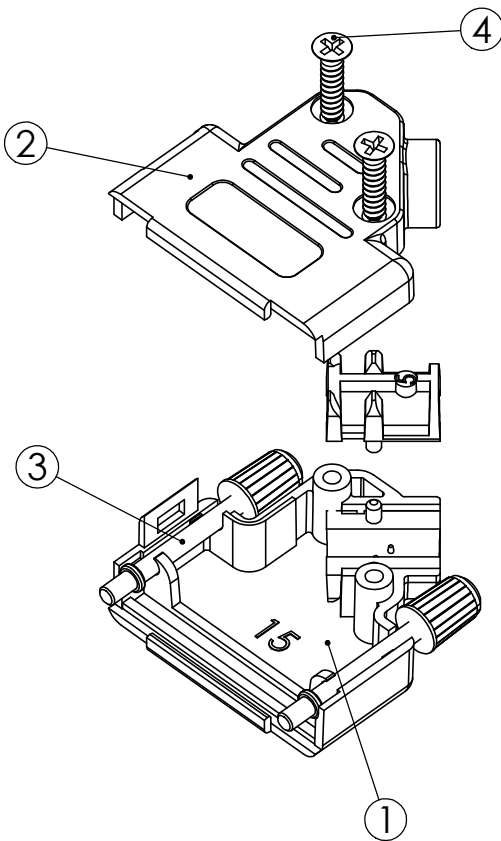
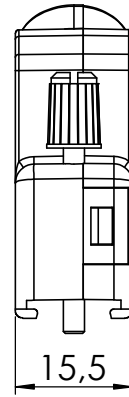
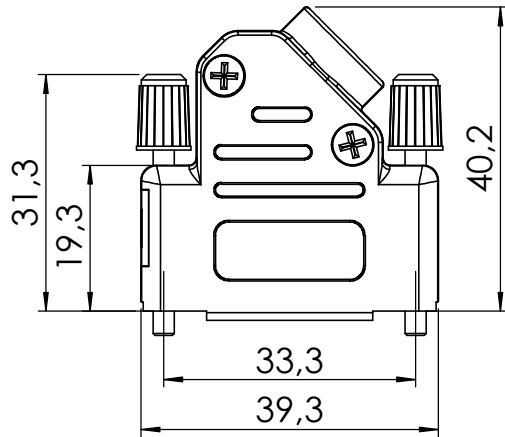
DVPK09

Draw.nr: 41170-1

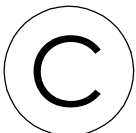
Date: 22.11.10

Rev.: B

Sign.: RK



ITEM NO.	QTY.	PART NO.	DESCRIPTION
1	1	DVPK15-D1	Cover bottom
2	1	DVPK15-D2	Cover top
3	2	D-JS-34	Jack screws
4	2	UHPX-3x13	Screws
5	1	DVZK-D1	Strain relief



THIS DRAWING MUST NOT BE COPIED WITHOUT OUR PERMISSION, IMPARTED TO A THIRD PART OR OTHERWISE USED WITHOUT AUTHORISATION. CONTRAVENTION WILL BE PROSECUTED

OSSI
CONNECTORS

Postbox 125
DK-4930 Maribo
Denmark
Tlf: 54782888 / Fax: 54783340

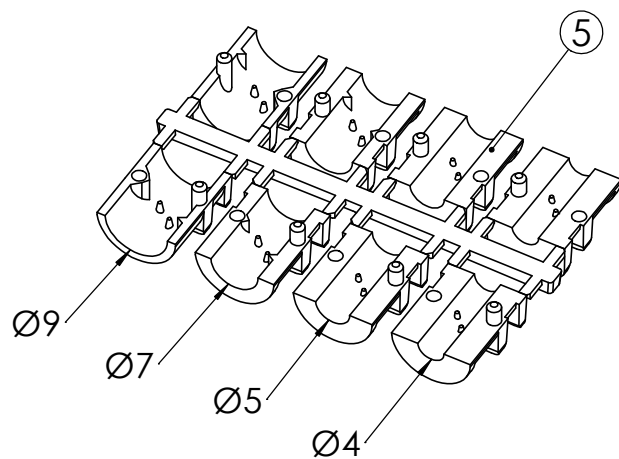
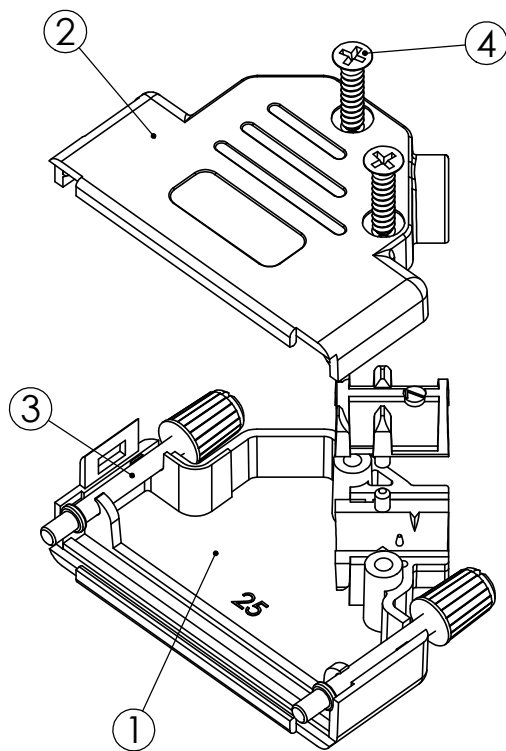
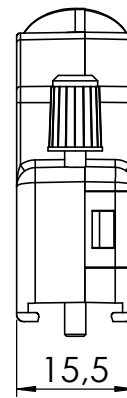
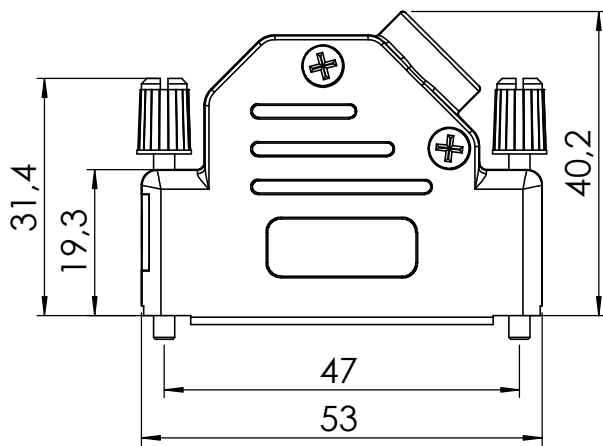
DVPK15

Draw.nr: 41170-2

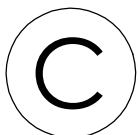
Date: 22.11.10

Rev.: B

Sign.: RK



ITEM NO.	QTY.	PART NO.	DESCRIPTION
1	1	DVPK25-D1	Cover bottom
2	1	DVPK25-D2	Cover top
3	2	D-JS-34	Jack screws
4	2	UHPX-3x13	Screws
5	1	DVZK-D1	Strain relief



THIS DRAWING MUST NOT BE COPIED WITHOUT OUR PERMISSION, IMPARTED TO A THIRD PARTY OR OTHERWISE USED WITHOUT AUTHORISATION. CONTRAVENTION WILL BE PROSECUTED

OSSI
CONNECTORS

Postbox 125
DK-4930 Maribo
Denmark
Tlf: 54782888 / Fax: 54783340

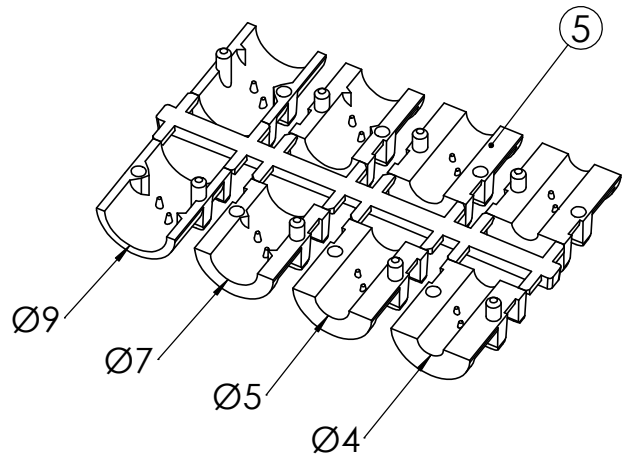
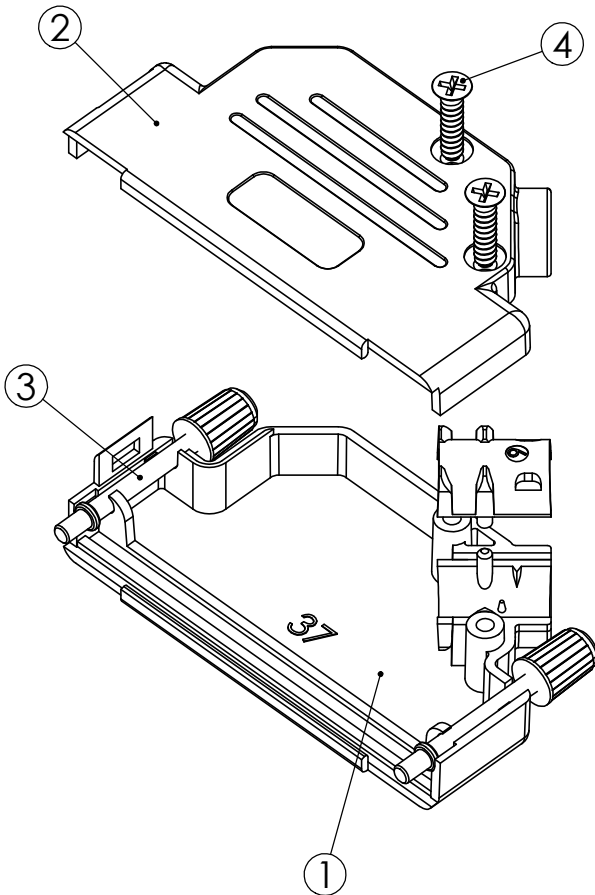
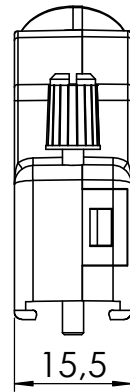
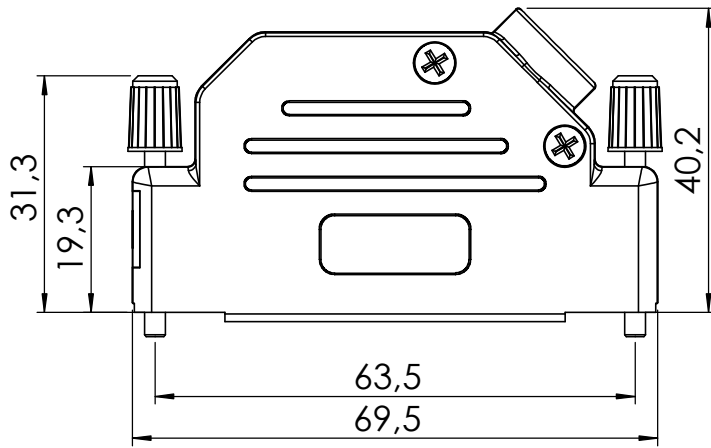
DVPK25

Draw.nr: 41170-3

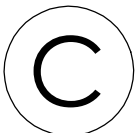
Date: 22.11.10

Rev.: B

Sign.: RK



ITEM NO.	QTY.	PART NO.	DESCRIPTION
1	1	DVPK37-D1	Cover bottom
2	1	DVPK37-D2	Cover top
3	2	D-JS-34	Jack screws
4	2	UHPX-3x13	Screws
5	1	DVZK-D1	Strain relief



THIS DRAWING MUST NOT BE COPIED WITHOUT OUR PERMISSION, IMPARTED TO A THIRD PART OR OTHERWISE USED WITHOUT AUTHORISATION. CONTRAVENTION WILL BE PROSECUTED

OSSI
CONNECTORS

Postbox 125
DK-4930 Maribo
Denmark
Tlf: 54782888 / Fax: 54783340

DVPK37

Draw.nr: 41170-4

Date: 22.11.10

Rev.: B

Sign.: RK