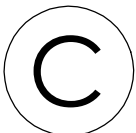


ITEM NO.	QTY.	PART NO.	DESCRIPTION
1	1	DVPMK09-D1	Cover bottom
2	1	DVPMK09-D2	Cover top
3	1	D-JS-34	Jack screw
4	2	UHPX-3x13	Screw – Philips
5	1	DVZK-D1	Strain relief



THIS DRAWING MUST NOT BE COPIED WITHOUT OUR PERMISSION, IMPARTED TO A THIRD PART OR OTHERWISE USED WITHOUT AUTHORISATION. CONTRAVENTION WILL BE PROSECUTED

**OSSI**  
CONNECTORS

Postbox 125  
DK-4930 Maribo  
Denmark  
Tlf: 54782888 / Fax: 54783340

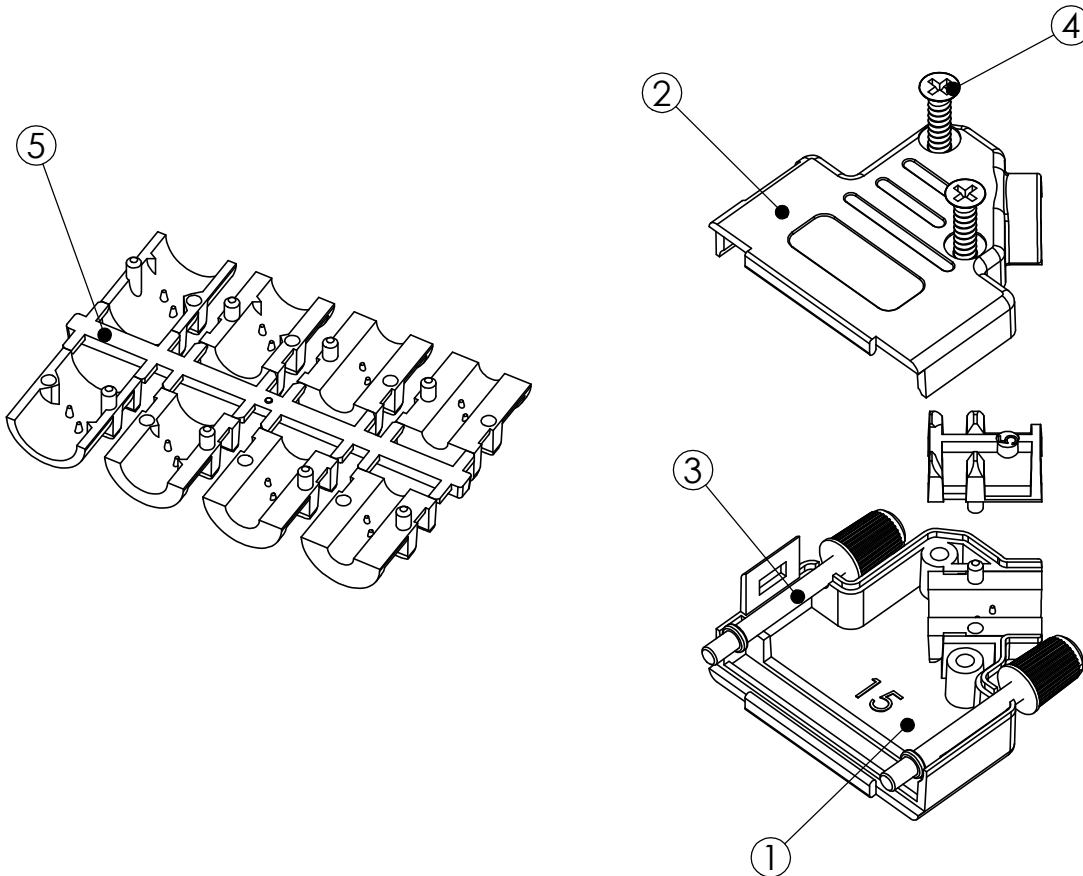
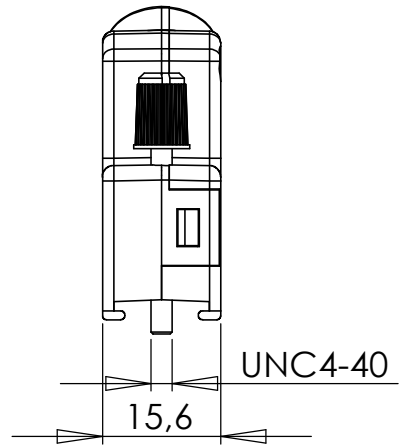
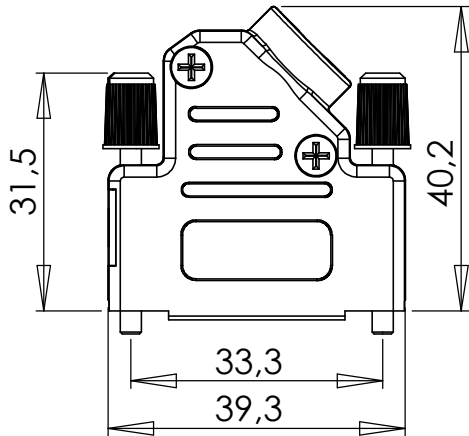
DVPMK9

Draw.nr: 41352-1

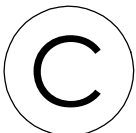
Date: 22.08.11

Rev.: A

Sign.: RK



ITEM NO.	QTY.	PART NO.	DESCRIPTION
1	1	DVPMK15-D1	Cover bottom
2	1	DVPMK15-D2	Cover top
3	2	D-JS-34	Jack screw
4	2	UHPX-3x13	Screw – Philips
5	1	DVZK-D1	Strain relief



THIS DRAWING MUST NOT BE COPIED WITHOUT OUR PERMISSION, IMPARTED TO A THIRD PART OR OTHERWISE USED WITHOUT AUTHORISATION. CONTRAVENTION WILL BE PROSECUTED

**OSSI**  
CONNECTORS

Postbox 125  
DK-4930 Maribo  
Denmark  
Tlf: 54782888 / Fax: 54783340

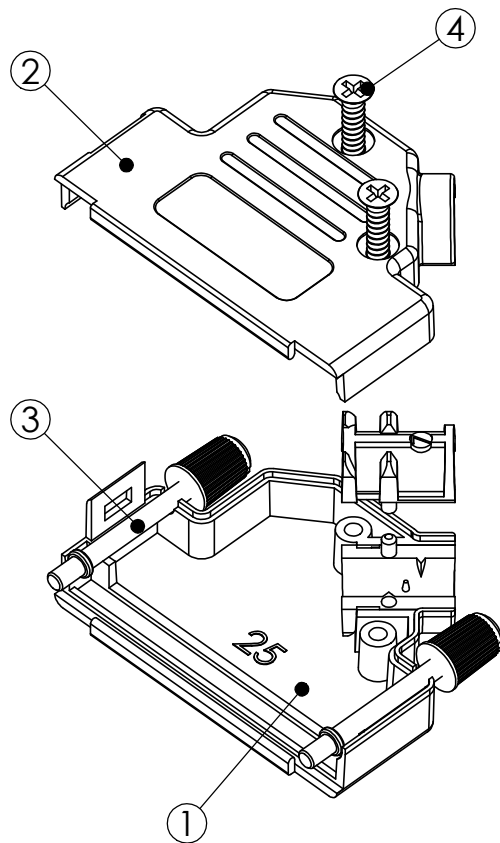
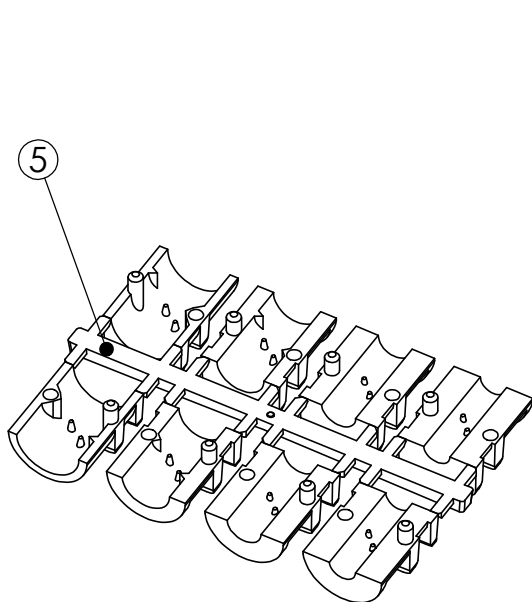
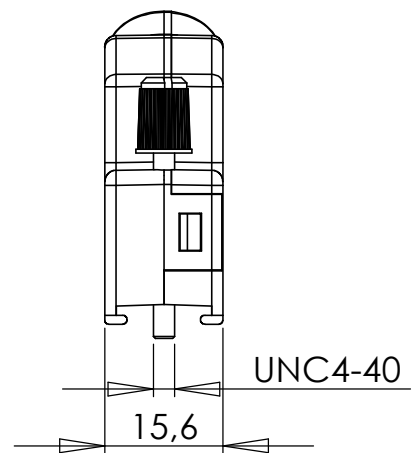
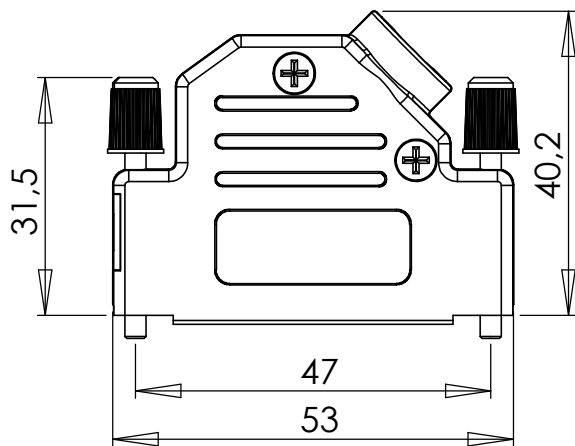
DVPMK15

Draw.nr: 41352-2

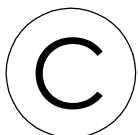
Date: 22.08.11

Rev.: A

Sign.: RK



ITEM NO.	QTY.	PART NO.	DESCRIPTION
1	1	DVPMK25-D1	Cover bottom
2	1	DVPMK25-D2	Cover top
3	2	D-JS-34	Jack screw
4	2	UHPX-3x13	Screw – Philips
5	1	DVZK-D1	Strain relief



THIS DRAWING MUST NOT BE COPIED WITHOUT OUR PERMISSION, IMPARTED TO A THIRD PART OR OTHERWISE USED WITHOUT AUTHORISATION. CONTRAVENTION WILL BE PROSECUTED

**OSSI**  
CONNECTORS

Postbox 125  
DK-4930 Maribo  
Denmark  
Tlf: 54782888 / Fax: 54783340

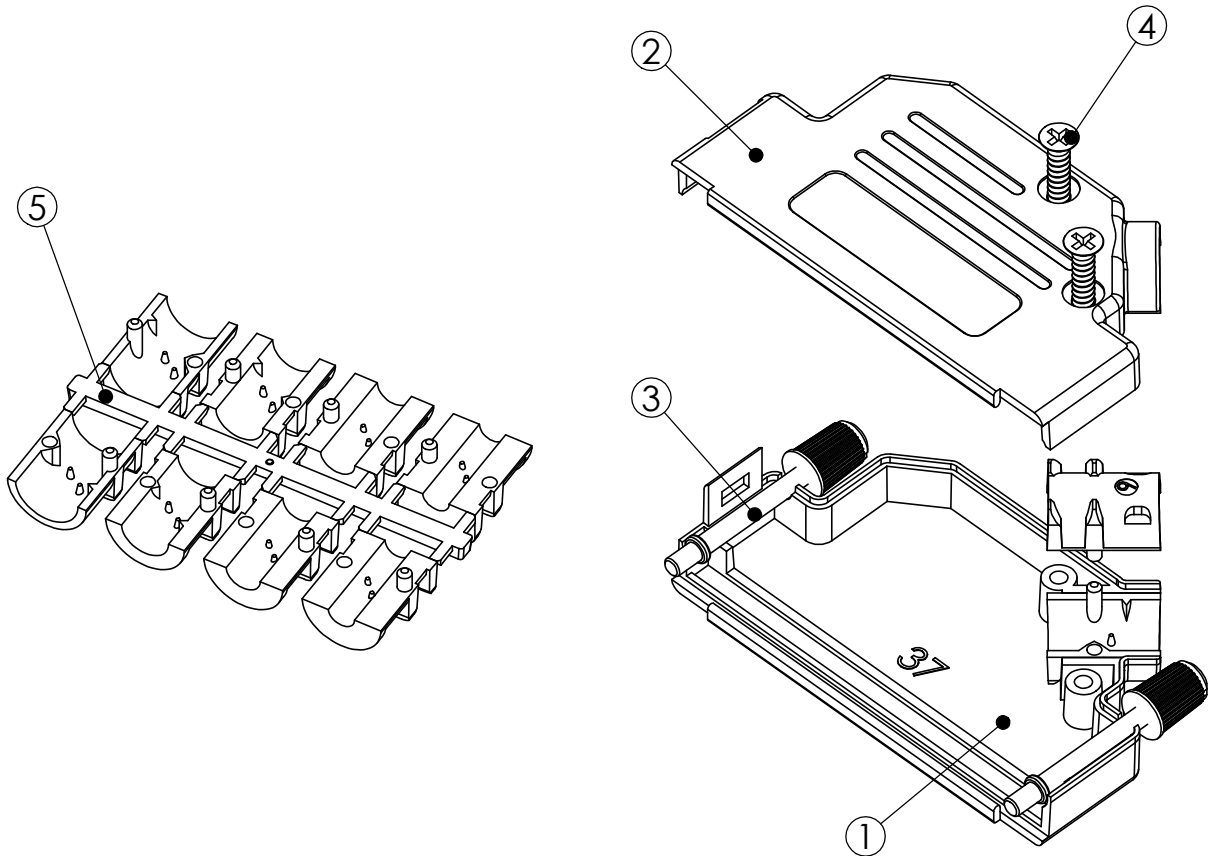
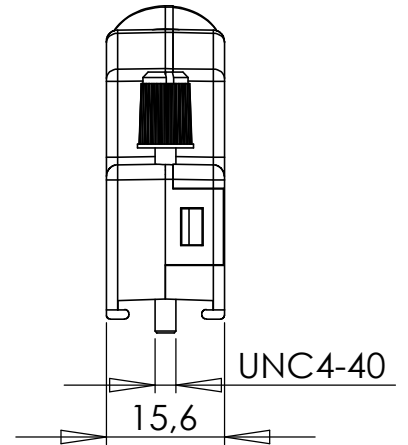
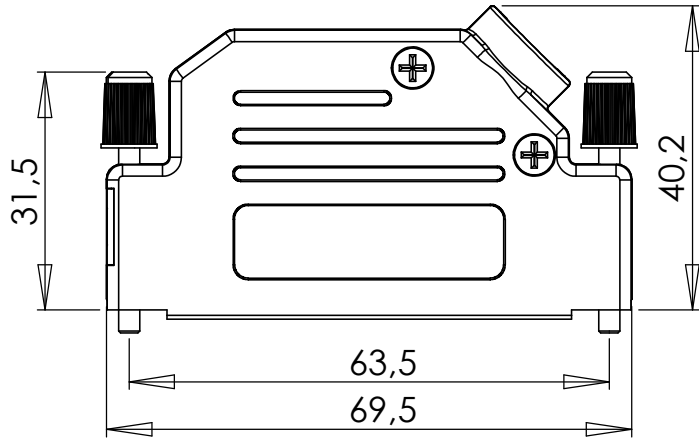
DVPMK25

Draw.nr: 41352-3

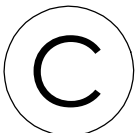
Date: 22.08.11

Rev.: A

Sign.: RK



ITEM NO.	QTY.	PART NO.	DESCRIPTION
1	1	DVPMK37-D1	Cover bottom
2	1	DVPMK37-D2	Cover top
3	2	D-JS-34	Jack screw
4	2	UHPX-3x13	Screw – Philips
5	1	DVZK-D1	Strain relief



THIS DRAWING MUST NOT BE COPIED WITHOUT OUR PERMISSION, IMPARTED TO A THIRD PART OR OTHERWISE USED WITHOUT AUTHORISATION. CONTRAVENTION WILL BE PROSECUTED

**OSSI**  
CONNECTORS

Postbox 125  
DK-4930 Maribo  
Danmark  
Tlf: 54782888 / Fax: 54783340

DVPMK37

Draw.nr: 41352-4

Date: 22.08.11

Rev.: A

Sign.: RK