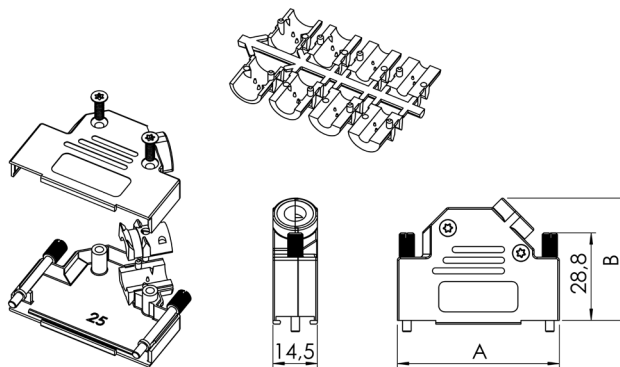
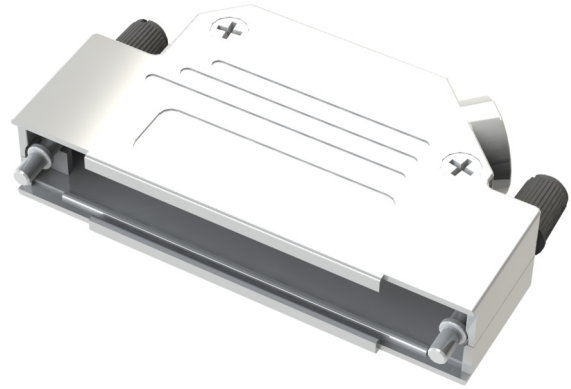


Shielded D-Sub Backshells DVZK Series

TECHNICAL SPECIFICATIONS

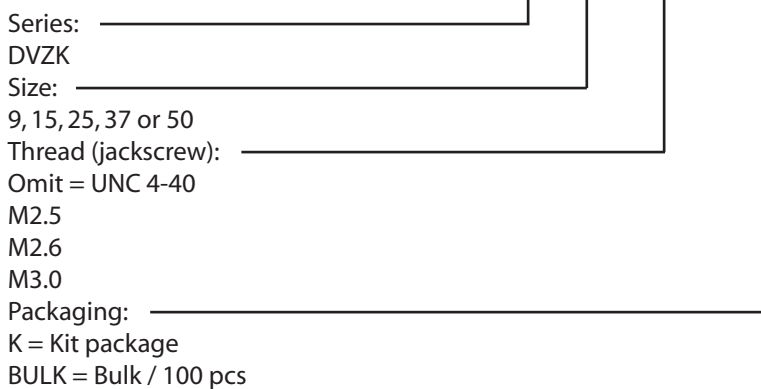
Material:	Zinc, Ni-plated
Temp. range:	-40°C - 120°C
Cable strain relief:	Polycarbonate PC (UL94 V-0)
Cable diameter:	3.0 - 13.0 mm
Locking screws:	Long jackscrews with moulded top for colour coding
Cable outlet:	Angled
Attenuation factor:	> 40 dB between 30 MHz and 1 GHz



TYPE	A	B
DVZK9	31	36,2
DVZK15	39,5	40,2
DVZK25	53,2	40,2
DVZK37	69,7	40,2
DVZK50	67,2	43,7

PART NUMBERING SYSTEM

DVZK15 - - BULK



FEATURES

- Available in sizes 9, 15, 25, 37 and 50
- Minimise interference from electromagnetic and RF sources
- Non-static parts avoid ESD problems
- Accept round foil and braided cable types
- Approved according VDE 0871, FCC 20780 and 89/336/EU
- Company logotype available upon request
- Long jackscrews with UNC 4-40 thread as standard, M2.5, M2.6 or M3.0 as option
- For custom designed solutions, please consult factory