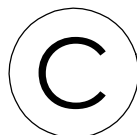


Order code

KIT		ANCHOR			CRIMP FERRULE			HEAT CRIMP SLEEVE
Max. Cable	Kit	PART NO.	di	dy	PART NO.	Di	Dy	PART NO.
6,0	<b>CZAK 6</b>	CZA-3	4	5	CZA-CF-6	6	7	CZA-D1-13
7,0	<b>CZAK 7</b>	CZA-4	5	6	CZA-CF-7	7	8	CZA-D1-13
8,0	<b>CZAK 8</b>	CZA-5	6	7	CZA-CF-8	8	9	CZA-D1-13
9,0	<b>CZAK 9</b>	CZA-6	7	8	CZA-CF-9	9	10	CZA-D1-13
10,0	<b>CZAK 10</b>	CZA-7	8	9	CZA-CF-10	10	11	CZA-D1-13
11,0	<b>CZAK 11</b>	CZA-8	9	10	CZA-CF-11	11	12	CZA-D1-13



THIS DRAWING MUST NOT BE COPIED WITHOUT OUR PERMISSION, IMPARTED TO A THIRD PARTY OR OTHERWISE USED WITHOUT AUTHORISATION. CONTRAVENTION WILL BE PROSECUTED

**OSSI**  
CONNECTORS

Postbox 125  
DK-4930 Maribo  
Denmark  
Tlf: 54782888 / Fax: 54783340

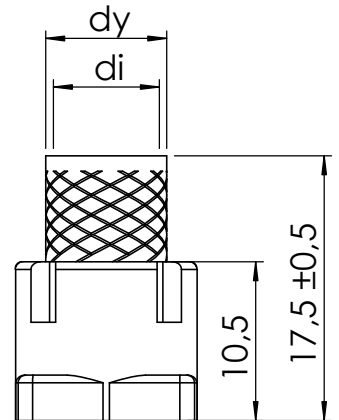
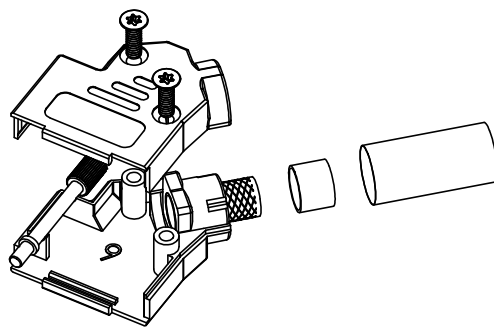
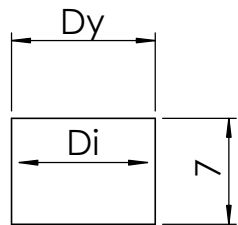
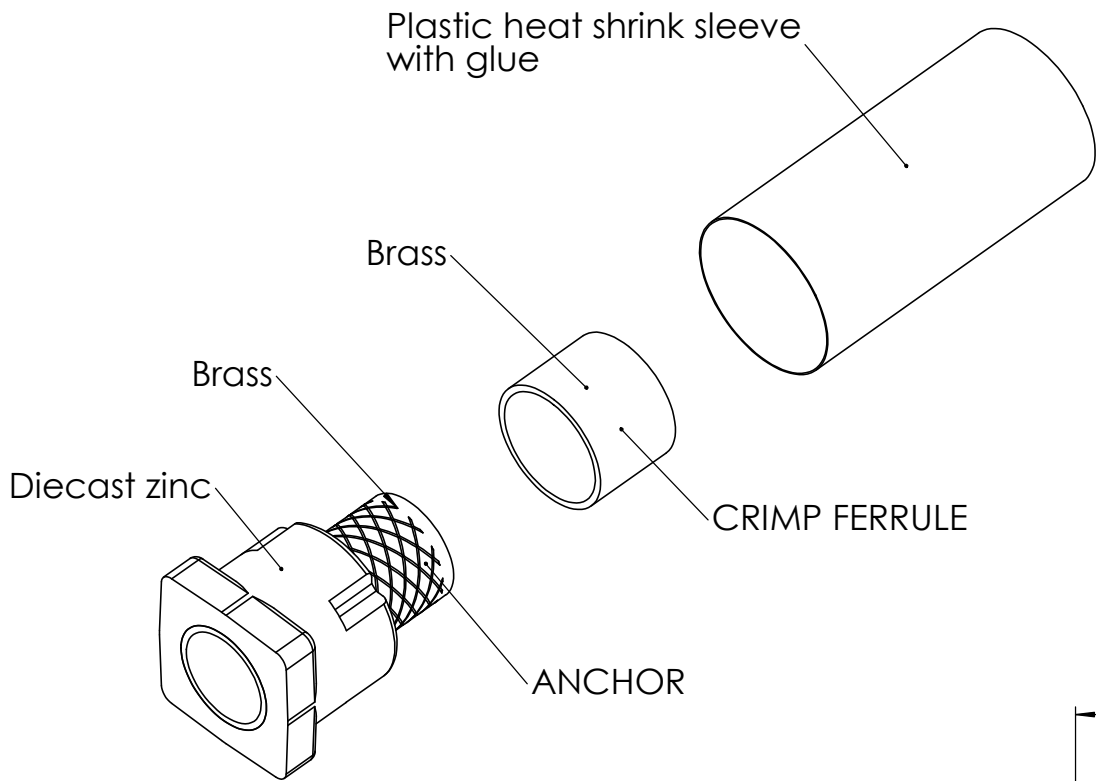
DVZK15-CZAK

Tegn.nr: 41224-2

Date: 05.11.03

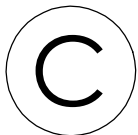
Rev.: A

Sign.: RK



Order code

KIT		ANCHOR			CRIMP FERRULE			HEAT CRIMP SLEEVE
Max. Cable	Kit	PART NO.	di	dy	PART NO.	Di	Dy	PART NO.
6,0	<b>CZAK 6</b>	CZA-3	4	5	CZA-CF-6	6	7	CZA-D1-13
7,0	<b>CZAK 7</b>	CZA-4	5	6	CZA-CF-7	7	8	CZA-D1-13
8,0	<b>CZAK 8</b>	CZA-5	6	7	CZA-CF-8	8	9	CZA-D1-13
9,0	<b>CZAK 9</b>	CZA-6	7	8	CZA-CF-9	9	10	CZA-D1-13
10,0	<b>CZAK 10</b>	CZA-7	8	9	CZA-CF-10	10	11	CZA-D1-13
11,0	<b>CZAK 11</b>	CZA-8	9	10	CZA-CF-11	11	12	CZA-D1-13



THIS DRAWING MUST NOT BE COPIED WITHOUT OUR PERMISSION, IMPARTED TO A THIRD PARTY OR OTHERWISE USED WITHOUT AUTHORISATION. CONTRAVENTION WILL BE PROSECUTED

**OSSI**  
CONNECTORS

Postbox 125  
DK-4930 Maribo  
Denmark  
Tlf: 54782888 / Fax: 54783340

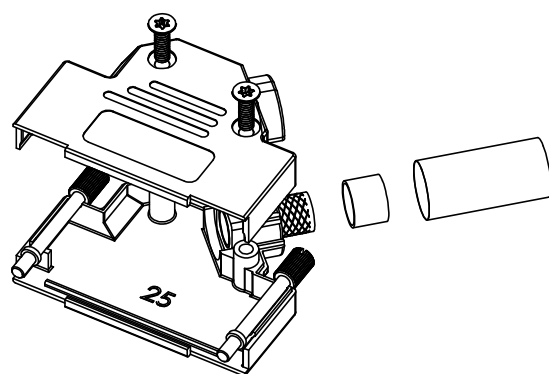
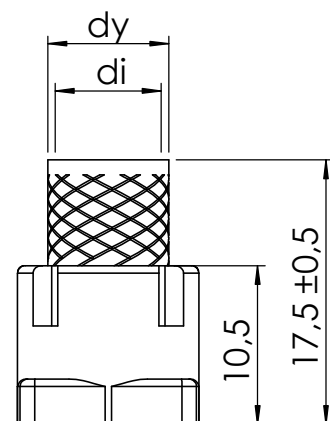
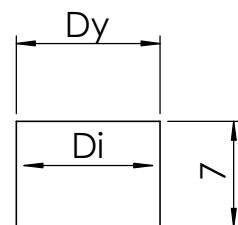
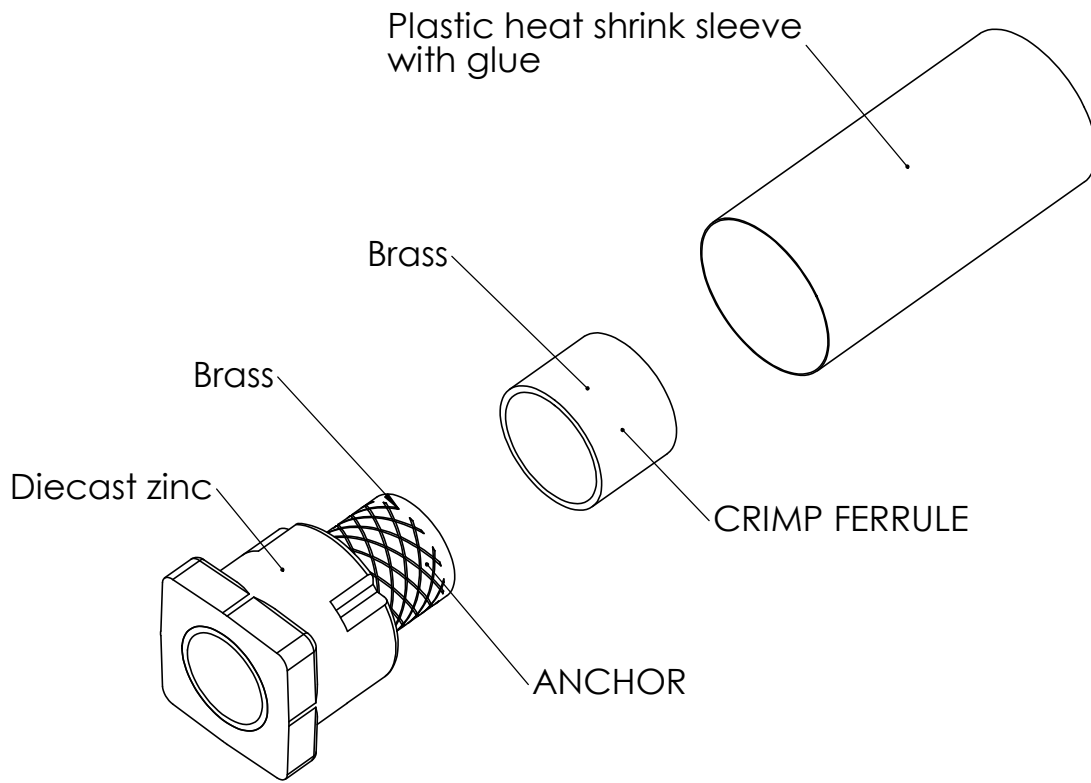
DVZK9-CZAK

Tegn.nr: 41224-1

Date: 05.11.03

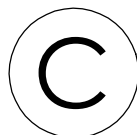
Rev.: A

Sign.: RK



Order code

KIT		ANCHOR			CRIMP FERRULE			HEAT CRIMP SLEEVE
Max. Cable	Kit	PART NO.	di	dy	PART NO.	Di	Dy	PART NO.
6,0	<b>CZAK 6</b>	CZA-3	4	5	CZA-CF-6	6	7	CZA-D1-13
7,0	<b>CZAK 7</b>	CZA-4	5	6	CZA-CF-7	7	8	CZA-D1-13
8,0	<b>CZAK 8</b>	CZA-5	6	7	CZA-CF-8	8	9	CZA-D1-13
9,0	<b>CZAK 9</b>	CZA-6	7	8	CZA-CF-9	9	10	CZA-D1-13
10,0	<b>CZAK 10</b>	CZA-7	8	9	CZA-CF-10	10	11	CZA-D1-13
11,0	<b>CZAK 11</b>	CZA-8	9	10	CZA-CF-11	11	12	CZA-D1-13



THIS DRAWING MUST NOT BE COPIED WITHOUT OUR PERMISSION, IMPARTED TO A THIRD PART OR OTHERWISE USED WITHOUT AUTHORISATION. CONTRAVENTION WILL BE PROSECUTED

**OSSI**  
CONNECTORS

Postbox 125  
DK-4930 Maribo  
Denmark  
Tlf: 54782888 / Fax: 54783340

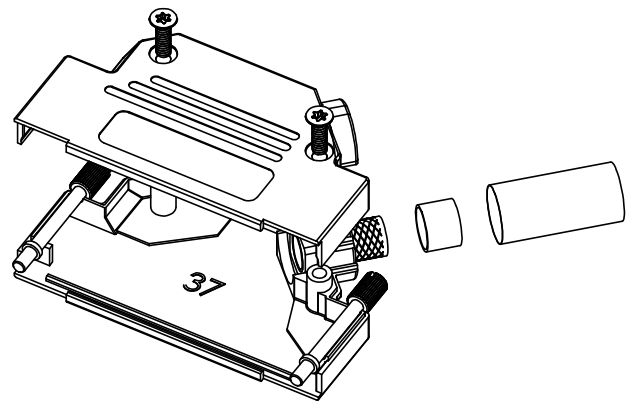
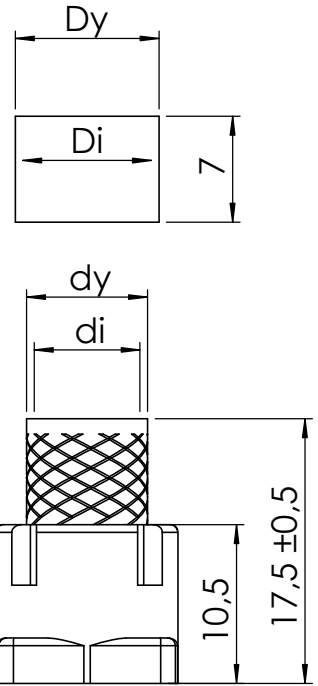
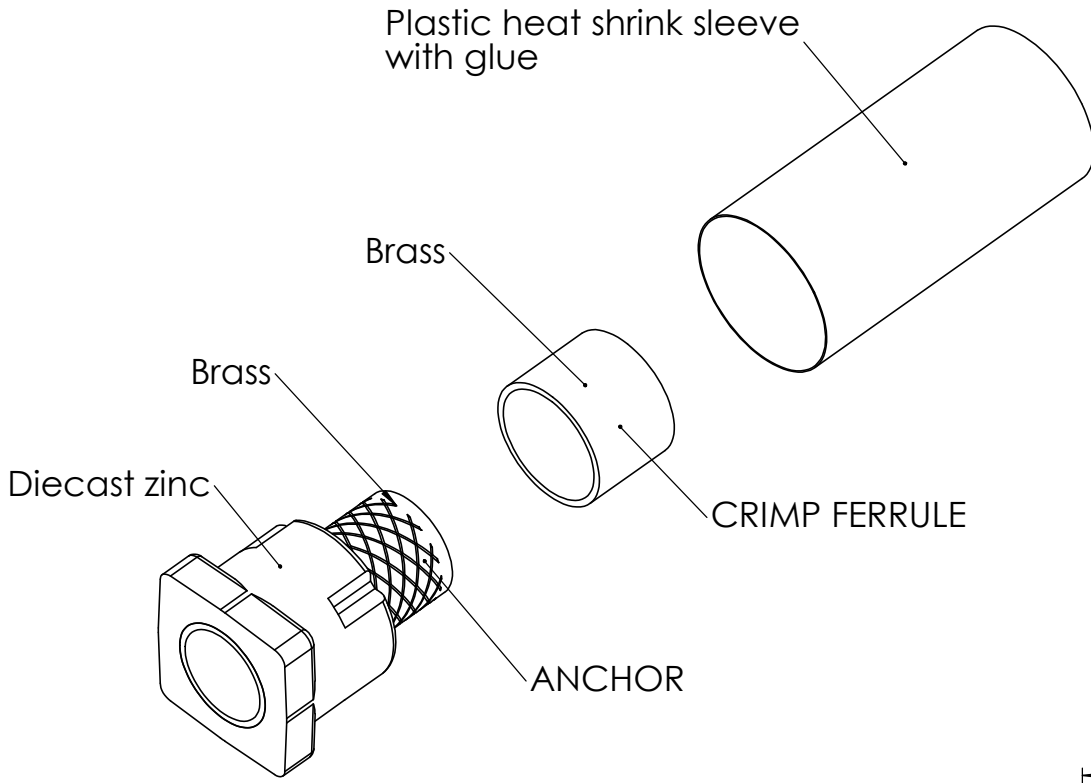
DVZK25-CZAK

Tegn.nr: 41224-3

Date: 05.11.03

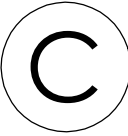
Rev.: A

Sign.: RK



Order code

KIT		ANCHOR			CRIMP FERRULE			HEAT CRIMP SLEEVE
Max. Cable	Kit	PART NO.	di	dy	PART NO.	Di	Dy	PART NO.
6,0	<b>CZAK 6</b>	CZA-3	4	5	CZA-CF-6	6	7	CZA-D1-13
7,0	<b>CZAK 7</b>	CZA-4	5	6	CZA-CF-7	7	8	CZA-D1-13
8,0	<b>CZAK 8</b>	CZA-5	6	7	CZA-CF-8	8	9	CZA-D1-13
9,0	<b>CZAK 9</b>	CZA-6	7	8	CZA-CF-9	9	10	CZA-D1-13
10,0	<b>CZAK 10</b>	CZA-7	8	9	CZA-CF-10	10	11	CZA-D1-13
11,0	<b>CZAK 11</b>	CZA-8	9	10	CZA-CF-11	11	12	CZA-D1-13



THIS DRAWING MUST NOT BE COPIED WITHOUT OUR PERMISSION, IMPARTED TO A THIRD PART OR OTHERWISE USED WITHOUT AUTHORISATION. CONTRAVENTION WILL BE PROSECUTED



DVZK37-CZAK

Tegn.nr:	41224-4
Date:	05.11.03
Rev.:	A
Sign.:	RK