

POS.	ANTAL	TYPE	BENÆVNELSE
1	1	DVZK09-D5	Cover bottom
2	1	DVZK09-D6	Cover top
3	1	D-JSS-32	Solid Jack screw
4	2	MFT-GF-M3x10	Screw
5	1	DVZK-D1	Strain relief
6	2	DVZK09-W-D1	Insulator
7	1	D-ST09	Sub-D Connection block

**OSSI**  
CONNECTORS

Postbox 125  
DK-4950 Marlbo  
Danmark  
Tlf: 54782888 / Fax: 54783340

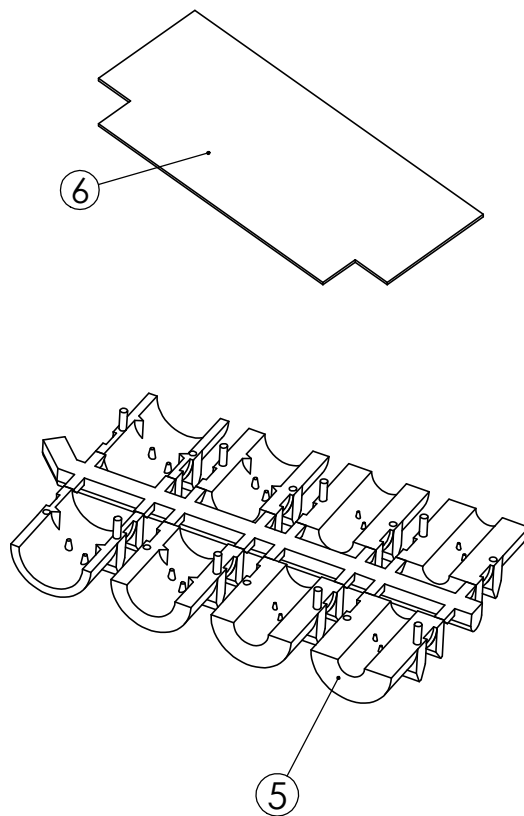
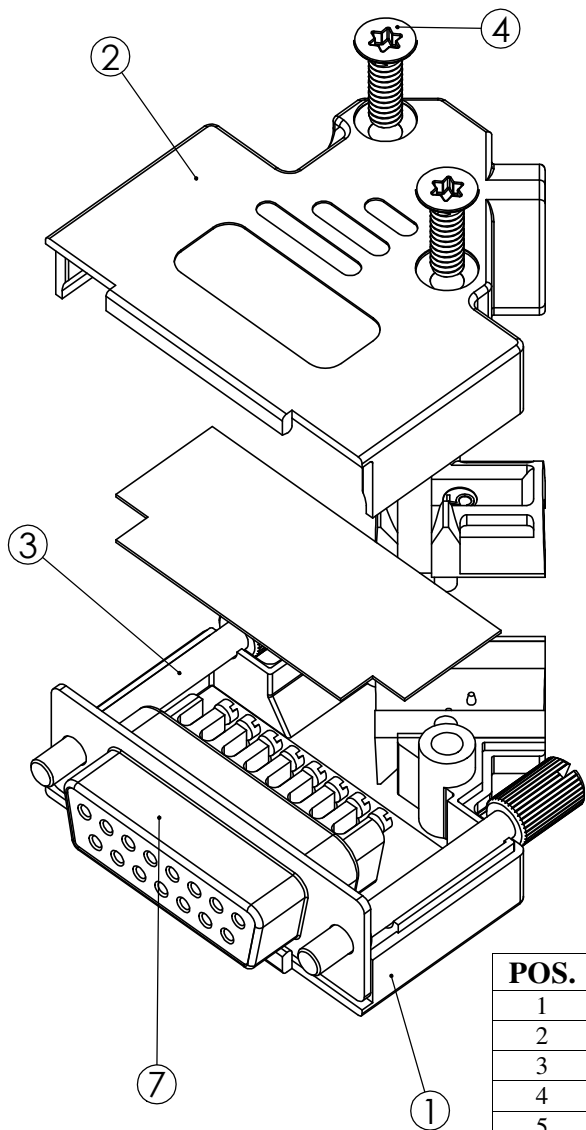
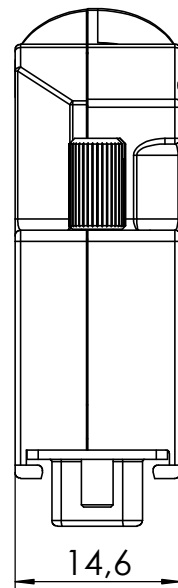
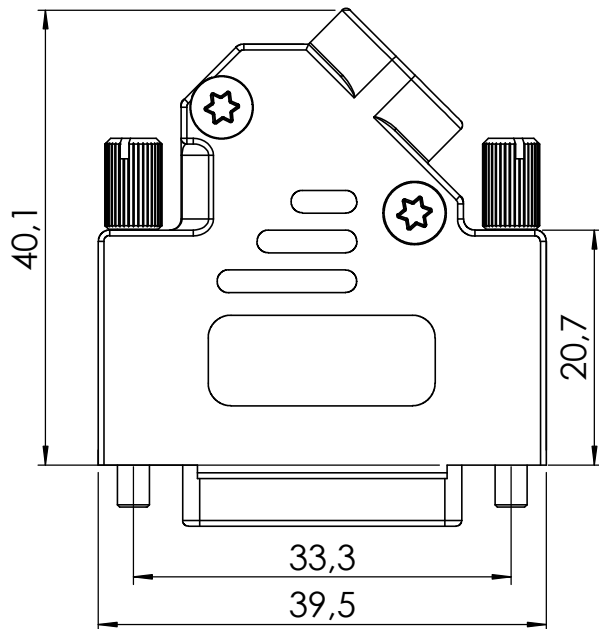
DVZK09-W  
Cover for  
screw termienering  
D SUB 9

Tegn.nr: 41172-09

Date: 02.02.01

Rev.: A

Sign.: RK



POS.	ANTAL	TYPE	BENÆVNELSE
1	1	DVZK15-D5	Cover bottom
2	1	DVZK15-D6	Cover top
3	1	D-JSS-32	Solid Jack screw
4	2	MFT-GF-M3x10	Screw
5	1	DVZK-D1	Strain relief
6	2	DVZK15-W-D1	Insulator
7	1	D-ST15	Sub-D Connection block

**OSSI**  
CONNECTORS

Postbox 125  
DK-4930 Maribo  
Danmark  
Tlf: 54782888 / Fax: 54783340

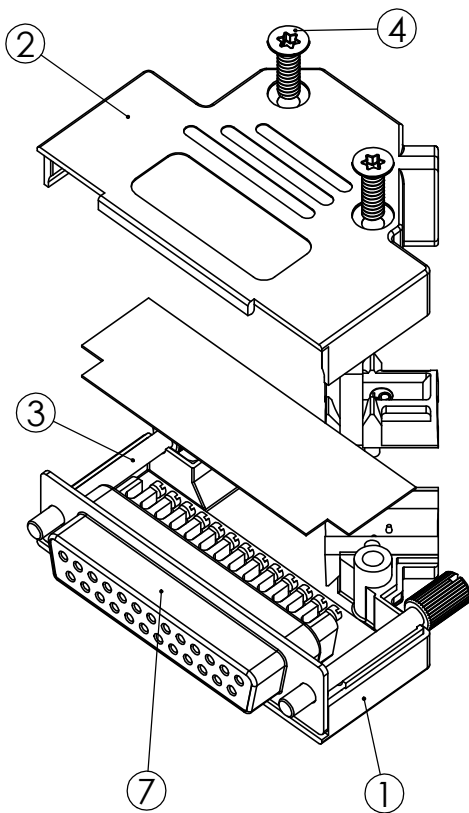
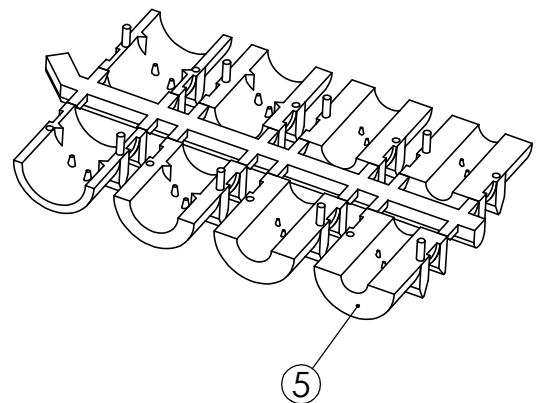
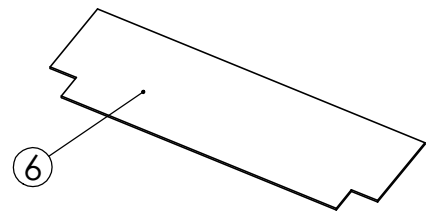
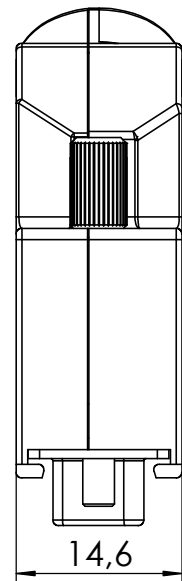
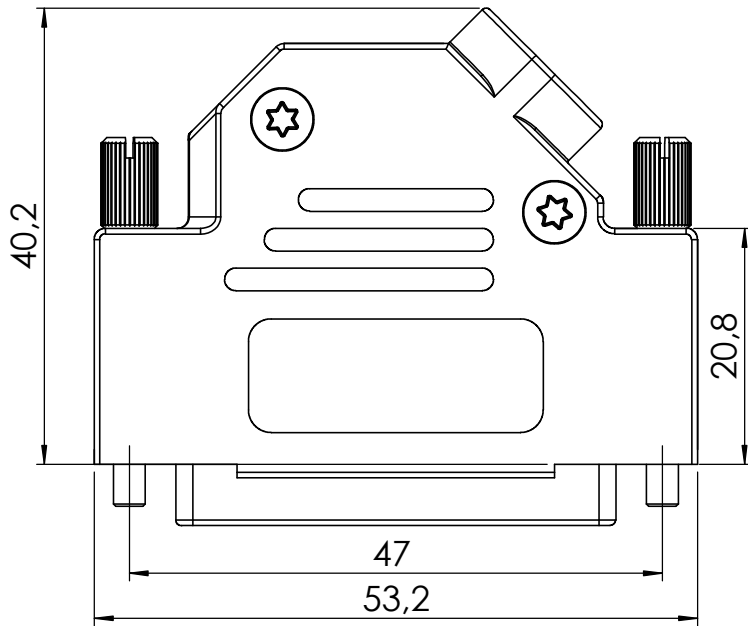
DVZK15-W  
Cover for  
screw termienering  
D SUB 15

Tegn.nr: 41172-15

Date: 01.02.01

Rev.: A

Sign.: RK



POS.	ANTAL	TYPE	BENÆVNELSE
1	1	DVZK25-D5	Cover bottom
2	1	DVZK25-D6	Cover top
3	1	D-JSS-32	Solid Jack screw
4	2	MFT-GF-M3x10	Screw
5	1	DVZK-D1	Strain relief
6	2	DVZK25-W-D1	Insulator
7	1	D-ST25	Sub-D Connection block

**OSSI**  
CONNECTORS

Postbox 125  
DK-4930 Maribo  
Danmark  
Tlf: 54782888 / Fax: 54783340

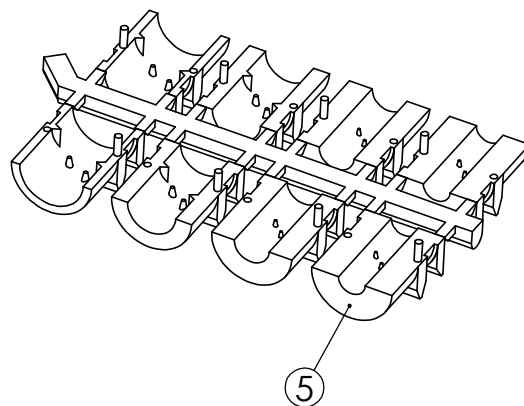
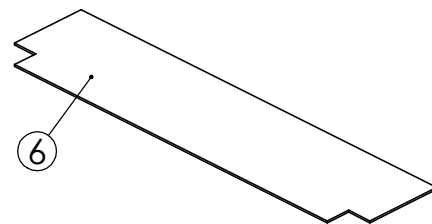
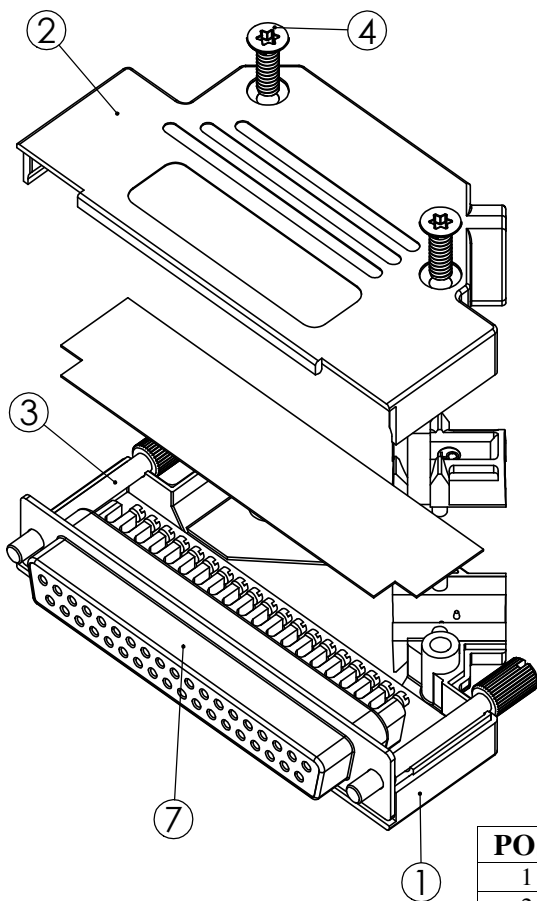
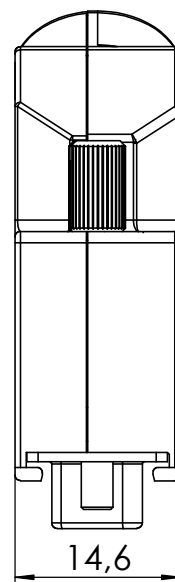
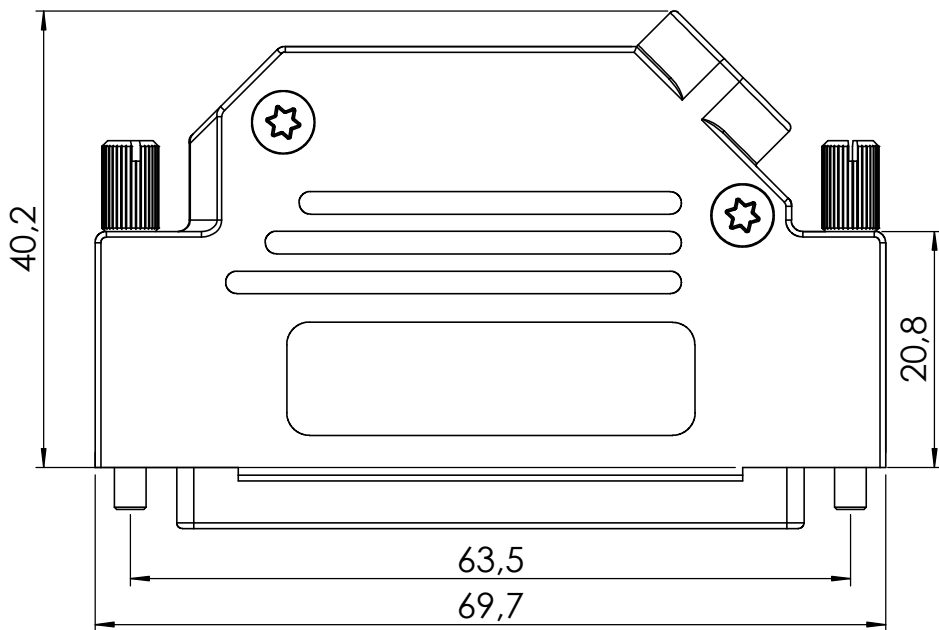
DVZK25-W  
Cover for  
screw termienering  
D SUB 25

Tegn.nr: 41172-25

Date: 05.02.01

Rev.: A

Sign.: RK



POS.	ANTAL	TYPE	BENÆVNELSE
1	1	DVZK37-D5	Cover bottom
2	1	DVZK37-D6	Cover top
3	1	D-JSS-32	Solid Jack screw
4	2	MFT-GF-M3x10	Screw
5	1	DVZK-D1	Strain relief
6	2	DVZK37-W-D1	Insulator
7	1	D-ST37	Sub-D Connection block

**OSSI**  
CONNECTORS

Postbox 125  
DK-4930 Maribo  
Danmark  
Tlf: 54782888 / Fax: 54783340

DVZK37-W  
Cover for  
screw termienering  
D SUB 37

Tegn.nr: 41172-37

Date: 05.02.01

Rev.: A

Sign.: RK