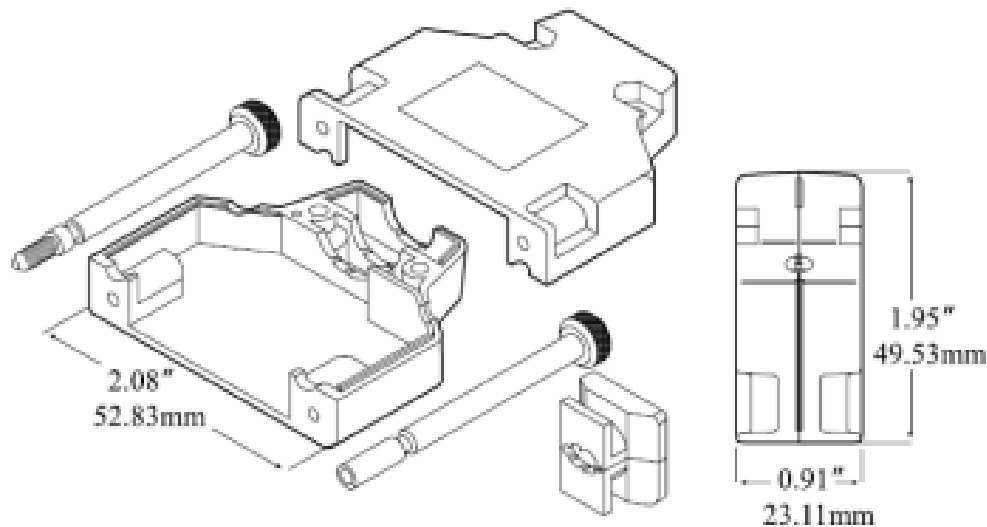
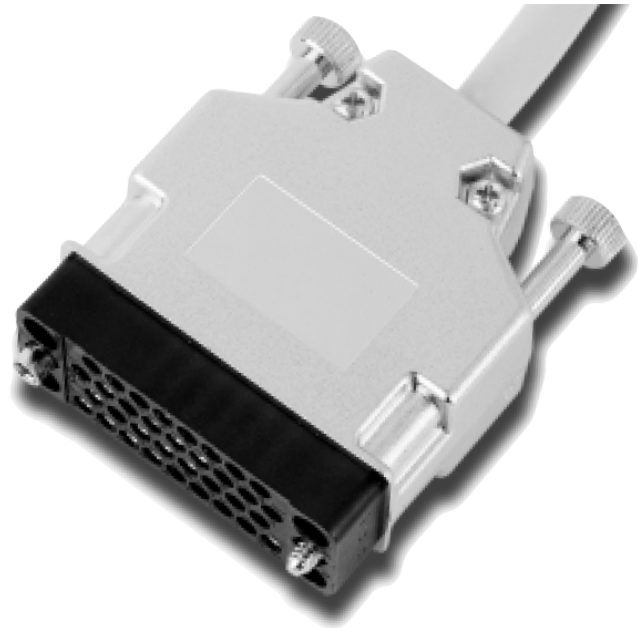




FEATURES

- Hermaphroditic design eliminates the need to differentiate between male and female cover halves.
- Nickel plated EDM textured high impact ABS UL94HB optimizes EMI/RFI attenuation.
- One piece nickel plated brass alloy jackscrews.
- Cable retention system of nickel-plated ABS inserts accommodates cable range from 0.350"/8.89mm – 0.550"/13.97mm.
- Easy to assemble.
- Accommodates industry standard connectors.
- Conforms to ISO2593 parameters.
- Part Number Bulk 100 pieces – 342.323-2



Dimensions are for reference only.

