



D-SUB ABS BACK SHELLS



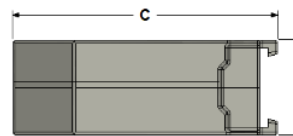
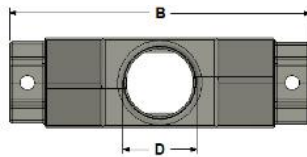
JP Series FEATURES

- High impact ABS optimizes structural integrity.
- Hermaphroditic design optimizes ease of assembly.
- TPR grommets to accommodate a wide range of cable diameters.
- Accommodates most industry standard d-sub connectors.
- Custom logo available. Please consult factory.

MATERIAL SPECIFICATIONS

- Cover - high impact ABS (UL94HB).
- Grommet - TPR (UL94HB).
- Fasteners - Steel, with nickel or clear zinc finish

JP Series Reference Dimensions



SIZE	P/N:	A		B		C		D		CABLE RANGE	
		IN	MM	IN	MM	IN	MM	IN	MM	IN	MM
9	JP09B*	0.62	15.7	1.225	31.1	1.61	40.9	0.396	10.1	.210 - .400	5.3 - 10.2
15	JP15B*	0.62	15.7	1.553	39.4	1.61	40.9	0.396	10.1	.210 - .400	5.3 - 10.2
25	JP25B*	0.62	15.7	2.098	53.3	1.76	44.7	0.51	13	.230 - .500	5.8 - 12.7
37	JP37B*	0.63	16	2.745	69.7	1.925	48.9	0.726	18.4	.350 - .725	8.9 - 18.4
50	JP50B*	0.74	18.8	2.65	67.3	1.925	48.9	0.726	18.4	.350 - .725	8.9 - 18.4

*Listed P/N indicate grey back shells. Add "-12" to the P/N above for kits with black halves.



9/15 Position Grommet Dimensions

	I.D	I.D	I.D	I.D	I.D
in	Ø0.21	Ø0.255	Ø0.285	Ø0.315	Ø0.32
mm	Ø5.33	Ø6.48	Ø7.24	Ø8	Ø8.13



25 Position Grommet Dimensions

	I.D	I.D	I.D	I.D	I.D
in	Ø0.23	Ø0.30	Ø0.37	Ø0.41	Ø0.45
mm	Ø5.8	Ø7.6	Ø9.4	Ø10.4	Ø11.4



37 / 50 Position Grommet Dimensions

	I.D	I.D	I.D	I.D	I.D	I.D
in	Ø0.35	Ø0.425	Ø0.50	Ø0.57	Ø0.620	Ø0.650
mm	Ø8.9	Ø10.8	Ø12.7	Ø14.5	Ø15.7	Ø16.5



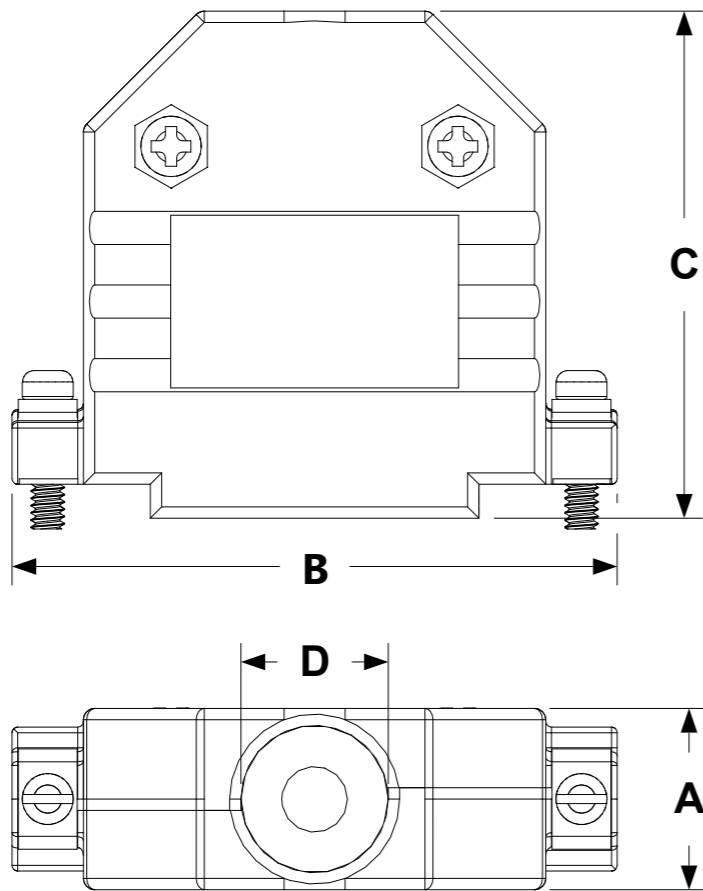
Phone: 1(905)939.8001

1986 Sideroad 15, Tottenham, ON L0G 1W0 Canada

Fax: 1(905)939.8002

Toll Free: 1(800)267.4492

www.jevons.on.ca



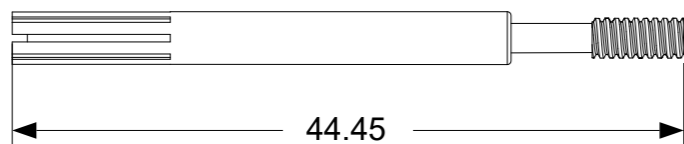
SCALE 1.50 : 1

JP Sizing Dimensions

SIZE	P/N:	A		B		C		D		CABLE RANGE	
		IN	MM	IN	MM	IN	MM	IN	MM	IN	MM
9	JP09B	0.62	15.7	1.225	31.1	1.61	40.9	0.396	10.1	.210 - .400	5.3 - 10.2
15	JP15B	0.62	15.7	1.553	39.4	1.61	40.9	0.396	10.1	.210 - .400	5.3 - 10.2
25	JP25B	0.62	15.7	2.098	53.3	1.76	44.7	0.51	13	.230 - .500	5.8 - 12.7
37	JP37B	0.63	16	2.745	69.7	1.925	48.9	0.726	18.4	.350 - .725	8.9 - 18.4
50	JP50B	0.74	18.8	2.65	67.3	1.925	48.9	0.726	18.4	.350 - .725	8.9 - 18.4

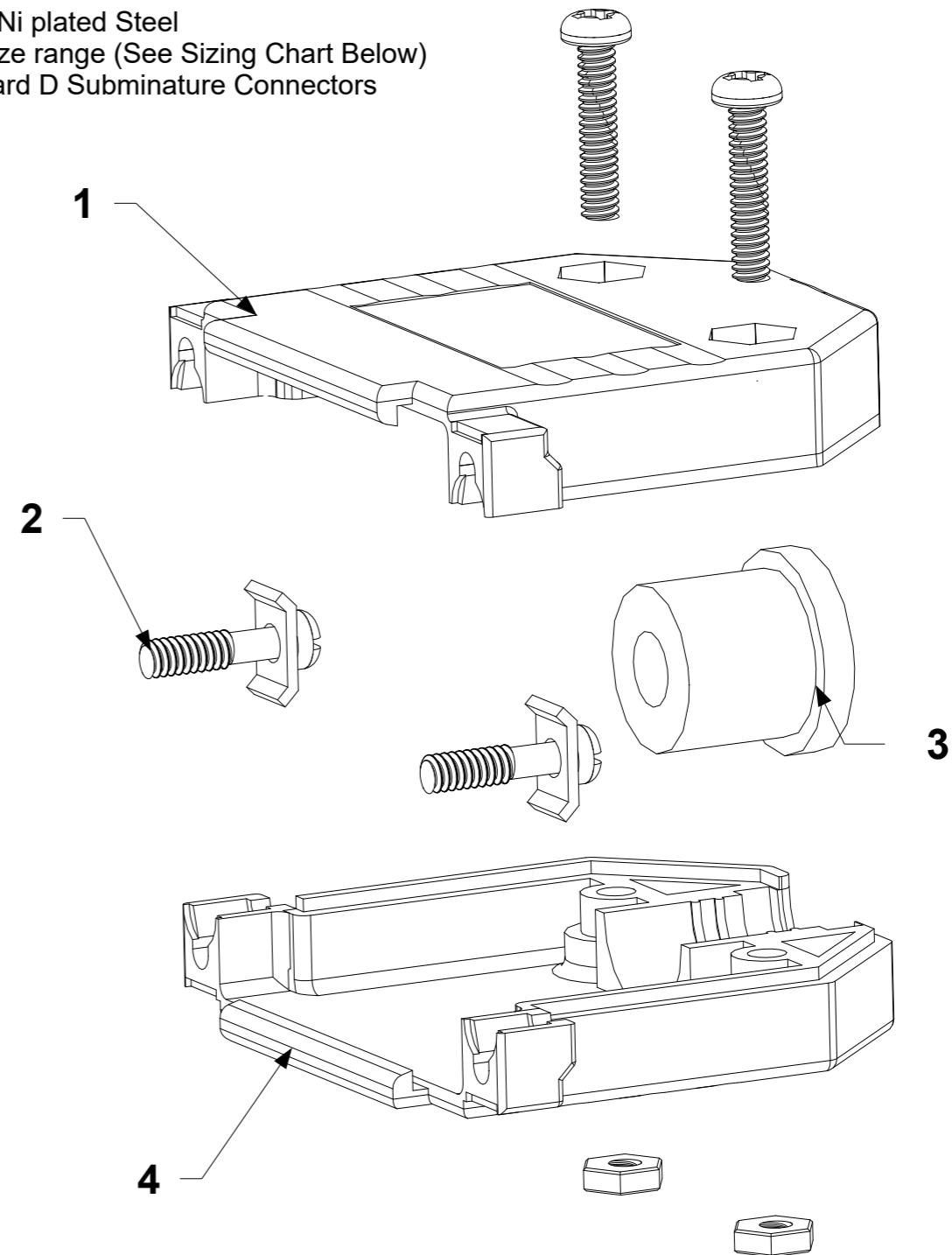
*Listed P/N indicated grey back shells. Add "-12" to the P/N above for kits with black halves

Optional P/N D1600 Thumb screw



NOTES:

1. Identical UL94HB ABS halves
2. Hardware manufactures in Ni plated Steel
3. TPR UL94HB Grommets size range (See Sizing Chart Below)
4. Covers accomodate Standard D Subminiature Connectors



SCALE 2 : 1



CDM JEVONS INC© 2023

Drawn	C.Pergentile	Measurments:	Scale
Checked	D. Jevons	Metric Millimeters	: As Per Diagram
Approved	March 28 2003	Material:	Date. November 24 2023
Title		UL94HB ABS	Sheet 1 of 1 Rev. B
JP UL94HB ABS D-Subminiature Back Shell Kits		Doc.Nr	

CDM Jevons Inc. believe the data contained here to be reliable. Since the technical information is given free of charge, the user employs such information at their own discretion and risk. CDM Jevons Inc. assumes no responsibility for results obtained or damages incurred from the use of such information in whole or in part.